



ESET33N

SEMI-ELECTRIC PALLET TRUCK

FEATURES: • Electric Drive/Manual Pump Lift • Built-In Charger • Battery Discharge Indicator • Automatic Lift Cut-Off for higher battery lifetime

3,300  lbs CAPACITY

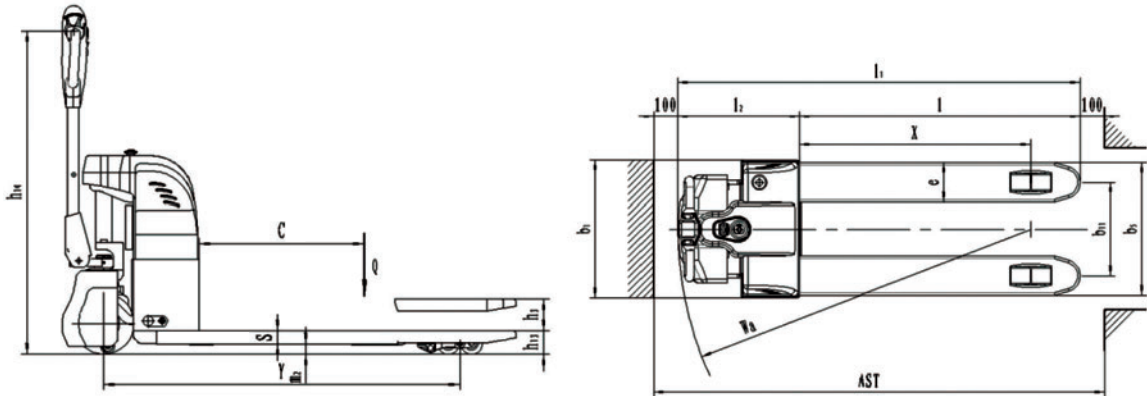
Fork Length: 48" • Overall Fork Width: 20.5"/27"
Weight: 365/385 lbs • Lift Hgt: 7.75" • Lowered Hgt: 3.25" • Fork Width: 6.3" • Drive Wheel: 8.7" x 2.8" • Load Roller: 3" x 3.7" • Aisle Width: 78"
• Turning Radius: 60" • Travel Speed (mph): 2.6 laden/2.8 un-laden • Max Gradient: 4/10% • Battery Voltage: 2 x 12V/38Ah

The ESET33N is a semi-electric pallet truck designed as an economic alternative to more expensive fully electric models. These units feature standard manual pallet truck style pumping operation for lifting and lowering loads, and self-propelled movement for easy transporting of goods. The compact and light design is suitable for a variety of light-duty applications in warehouses or similar applications. The ESET33N features a built-in charger for increased mobility and operation range, along with a battery discharge indicator that automatically cuts off the lift function when not in use.

3,300 **lbs** CAPACITY

| ESET SEMI-ELECTRIC PALLET TRUCK | | |
|--------------------------------------|----------|--------------|
| Model | | ESET33N |
| Capacity | lbs | 3300 |
| Weight | lbs | 365 / 385 |
| Load Center | (C) in | 23.6 |
| Wheelbase | (Y) in | 50.4 |
| Lowered Fork Height | (h13) in | 3.1 |
| Raised Fork Height | (h3) in | 7.75 |
| Handle Height | (h14) in | 51 |
| Fork Size | (e) in | 6.3 |
| Overall Fork Width | (b5) in | 20.5 / 27 |
| Fork Length | (l) in | 48 |
| Overall Length | (l1) in | 65.5 / 68 |
| Turning Radius | (Wa) in | 59.3 |
| Aisle Width (for pallets: 32" x 48") | in | 77.2 |
| Travel Speed (Laden / Un-laden) | mph | 2.6 / 2.8 |
| Max. Gradeability (Laden / Un-laden) | % | 4 / 10 |
| Battery Voltage | V/Ah | 2 x 12V / 40 |

*Because of continual product improvements, specifications may be subject to change without notice



*Container Order Available: 20ft Container = 18 pieces | 40ft Container = 38 pieces

