



**U.S. TAILORED OPEN BATTERY COMPARTMENT**  
13.8" U.S. tailored open battery compartment  
ready for wide range of industrial batteries,  
flexible for different battery dimensions

# HESPT60N

## HEAVY DUTY PALLET TRUCK

**FEATURES:** • AC Drive System • Comfortable Operator Platform • Heavy-Duty Load Backrest • Key Switch, Emergency Switch and Battery Discharge Indicator • Grab Bar with Electric Controls • 24 Volt Electrical System • Standard Battery Compartment Size

6,000  CAPACITY

Fork Length: 48" • Overall Fork Width: 22" / 27"

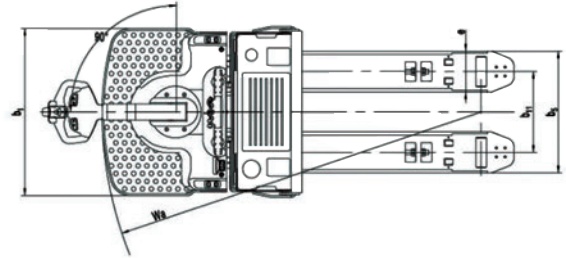
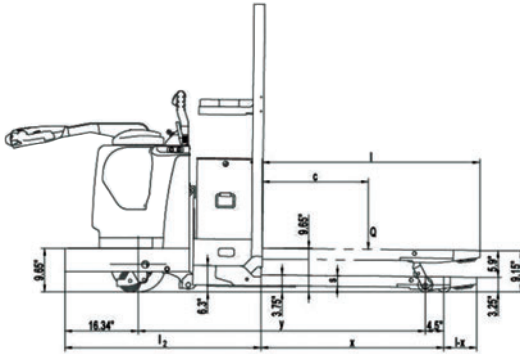
Weight (with battery): 2330 lbs • Lift Hgt: 5.9" • Lowered Hgt: 3.25" • Fork Width: 9" • Drive Wheel: 12.2" x 4.13" • Load Roller: 3.2" x 3.2" • Risle Width for Pallets (40" x 48"): 94.5" • Turning Radius: 84.4" • Travel Speed (mph): 6.2 laden/8.7 un-laden • Max Gradient: 8/15% • Battery Voltage: 24V/350Ah

Able to lift and transport loads of up to 6,000 lbs, the HESPT60N self-propelled pallet truck is designed for heavy duty lifting and transporting applications. These units feature full electric lifting and self-propelled movement with an operator platform, enabling safe and more efficient load handling, particularly in long-distance warehouse applications.

6,000 **lbs** CAPACITY

ECO HESPT SELF-PROPELLED PALLET TRUCK			*WALKIE / RIDE-ON*		
Model	HESPT60N				
Capacity	lbs	6000	Handle Height (in drive position min / max)	(h14) in	-
Load Center	in	24	Overall Length	(l1) in	91.7
Load Distance (center of drive axle to load wheel)	(x) in	40.5	Overall Width	(b1) in	37.8
Wheelbase	(y) in	63.6	Length (to Face of Forks)	(l2) in	43
Weight (with Battery)	lbs	2330	Ground Clearance (Center of Wheelbase)	(m2) in	.98
Axle Loading (Laden Front / Rear)	lbs	3100 / 5260	Turning Radius	(wa) in	84.4
Axle Loading (Unladen Front / Rear)	lbs	1870 / 550	Aisle Width (for pallets: 40" x 48")	(Ast) in	94.5
Drive Wheel (Polyurethane)	in	12.2 dia. x 4.13	Travel Speed (Laden / Un-laden)	mph	6.2 / 8.7
Load Rollers (Polyurethane)	in	3.2 dia. x 3.2	Lifting Speed (Laden / Un-laden)	ft/min	7.5 / 9.5
Stabilizer Wheels (Polyurethane)	in	4.9 dia. x 2.4	Lowering Speed (Laden / Un-laden)	ft/min	9.5 / 9.5
Tread (Front)	(b10) in	26.8	Gradeability (Laden / Un-laden)	%	8 / 15
Tread (Rear)	(b11) in	12.9 / 17.9	Drive Motor Rating S2 60 min	HP	5.1 (AC)
Lift Height	(h3) in	5.9	Lift Motor Rating at S3 4.5%	HP	3
Lowered Fork Height	(h13) in	3.25	Battery Votage / Nominal Capacity K5	V/Ah	24 / 350
Fork Dimensions	(s/e/l) in	2.4 x 9 x 48	Battery Weight	lbs	704
Overall Fork Width (O.D.)	(b5) in	22 or 27	Sound Level (at driver's ear acc. to EN 12053)	dB(A)	68

\*Because of continual product improvements, specifications may be subject to change without notice



FORK DIMENSIONS

		STANDARD FORK TIP							EXTENDED FORK TIP		
		in	36	42	48	54	60	96	84	93	96
Nominal Fork Length	in	36	42	48	54	60	96	84	93	96	
Actual Fork Length	l1 in	35.7	41.7	47.8	53.7	59.7	95.7	83.7	92.8	95.7	
Overall Length	l in	79.8	85.8	91.8	97.8	103.8	139.8	127.8	136.8	139.8	
Wheelbase (raised)	y in	51.4	57.4	63.5	69.5	75.5	111.6	83.9	83.9	83.9	
Load Wheel Distance	x in	28.4	34.4	40.5	48.4	52.4	88.4	61.7	61.5	61.7	
Fork Tip Length	l-x in	7.3	7.3	7.3	7.3	7.3	7.3	22	31.3	34	
Turning Radius (raised)	wa in	72.3	78.3	84.4	90.4	96.4	132.4	104.7	104.7	104.7	
Fork Width	e in						9			10	

