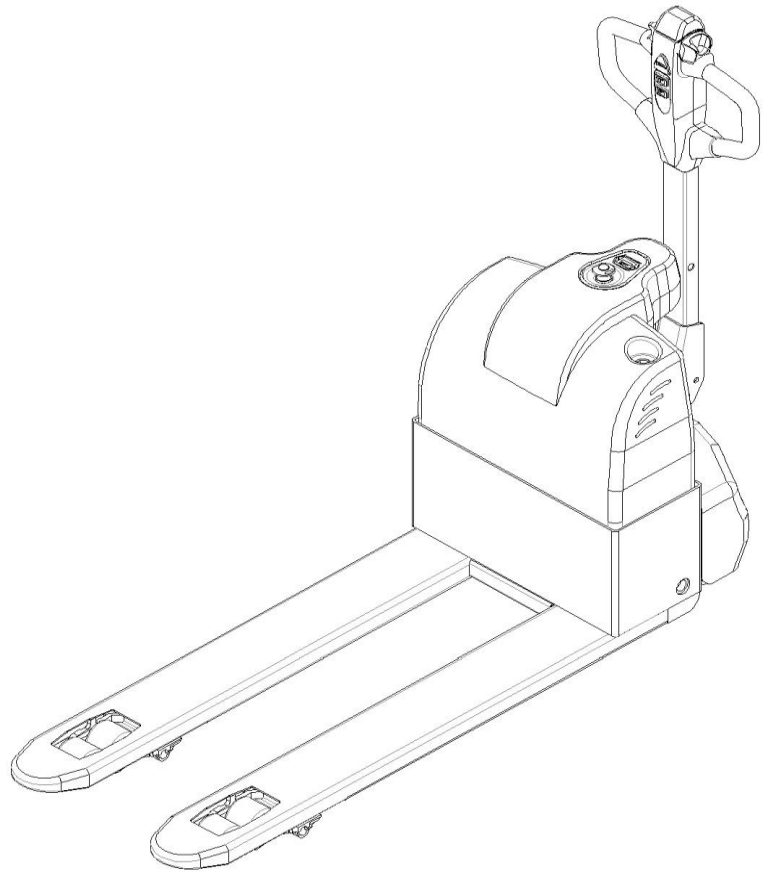




www.mobilept.com

PARTS BREAKDOWN

EFET33N Full Electric Pallet Truck



Version 04/2014

EFET33N

From truck identification No.:

20140300347

From date:2014/03/28

Change request no. : CR2014-010

Catalogue

Fig. 1 Fork Frame	3
Fig. 2 Load Roller	5
Fig. 3 Drive system	7
Fig. 4 Cylinder.....	9
Fig. 5 Drive wheel.....	11
Fig. 6.1 Normal castors	13
Fig. 6.2 Suspension Castors	15
Fig. 7 Pump	17
Fig. 8 Tiller.....	19
Fig. 9 Tiller arm.....	21
Fig. 10 Hydraulic system	23
Fig. 11 Control system.....	25
Fig. 12 Electrical system.....	27
Fig. 13 Truck body.....	29
Fig. 14 Cables.....	31
Fig. 15 Sticker for EU	33
Fig. 16 Sticker for US.....	34

Fig. 1 Fork Frame

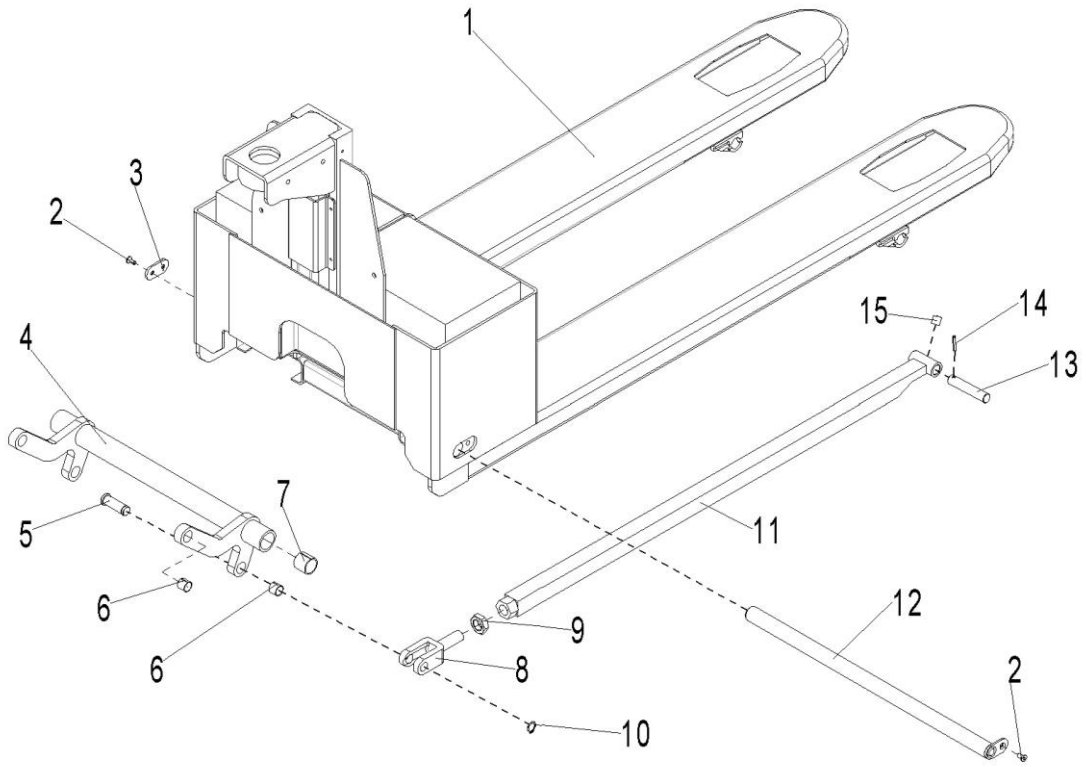


Fig. 1 Fork Frame

No.	Art No.	Description	Qty.	Note
1	9000001935	Fork frame	1	540×1150
	9000001997	Fork frame	1	540×1220
	9000010047	Fork frame(lower height)	1	540×1150 [CR2014-010]
	9000010049	Fork frame(lower height)	1	540×1220 [CR2014-010]
	9000010051	Fork frame(lower height)	1	540×1000 [CR2014-010]
	9000003547	Fork frame	1	685×1150
	9000003564	Fork frame	1	685×1220
	9000009431	Fork frame	1	540×800
2	1000523002	Screw	3	
3	1000504001	Fixing plate	1	
4	9000001957	Rock arm	1	540
	9000003555	Rock arm	1	685
5	9000001973	Shaft	2	
6	0000013011	Bushing	4	16×18×15
7	0000027006	Bushing	2	25×29×25
8	9000001966	Push rod fork	2	
9	0000024044	Thin nut	2	
10	0000026019	Retaining ring	2	
11	9000001967	Push rod	2	1150
	9000001996	Push rod	2	1220
	9000009434	Push rod	2	800
	9000010053	Push rod	2	1000 [CR2014-010]
12	9000001971	Long shaft	1	540
	9000003561	Long shaft	1	685
13	9000002327	Shaft	2	
14	0000028016	Roll pin	2	5×28
15	0000030001	Oil cup	2	6

Fig. 2 Load Roller

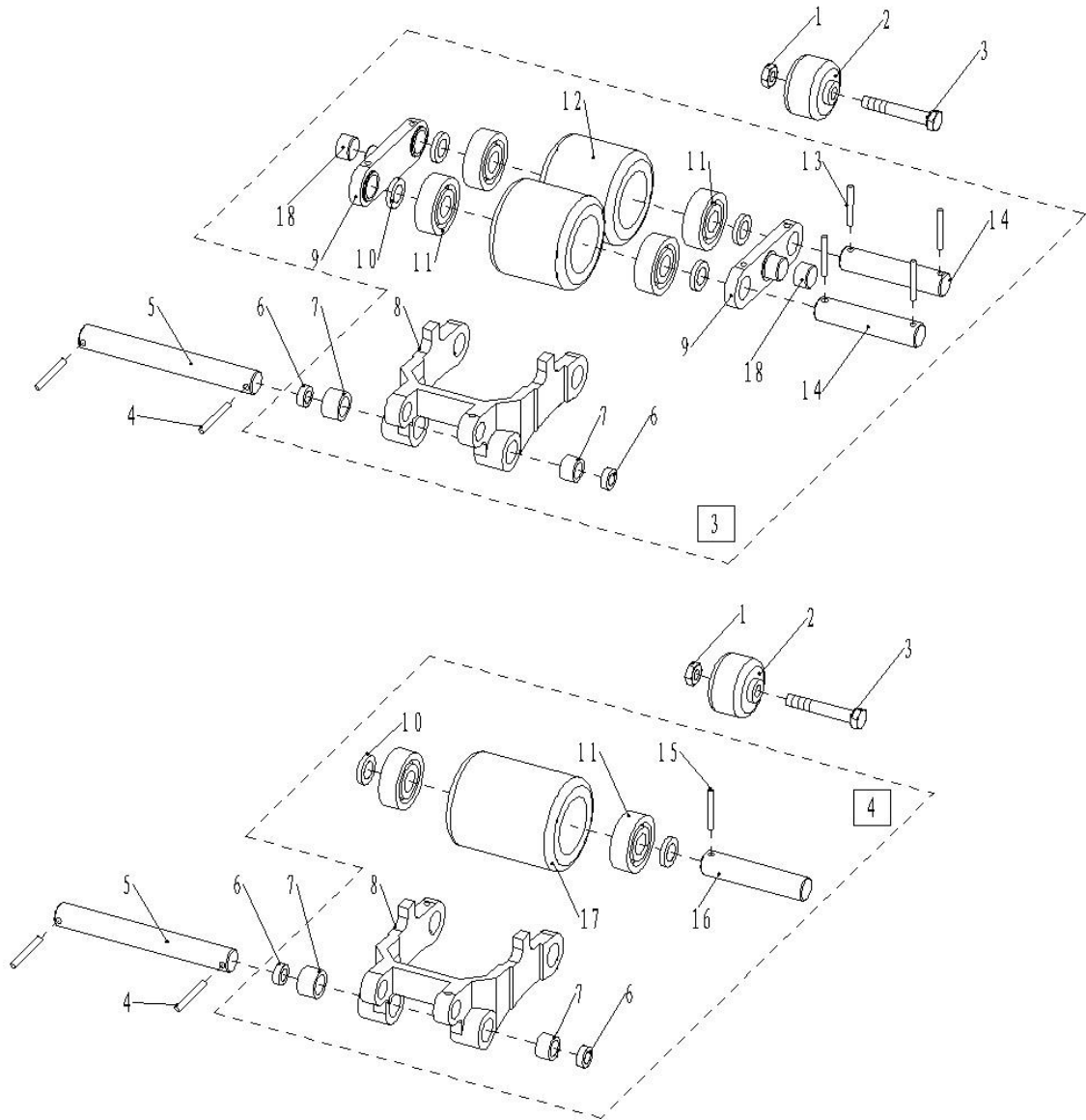


Fig. 2 Load Roller

No.	Art No.	Description	Qty.	Note
1	0000023005	Lock nut	2	M10
2	1000516001	Enter roller	2	
3	0000023004	Screw	2	M10×60
4	0000028016	Roll pin	4	∅5×30
5	1070307002	Shaft for roller	2	
6	1070302002	Anti-grazing roller	2	∅20×∅35×7
	1070302005		2	∅20×∅35×8
7	0000027005	Bushing	4	∅22×∅20×12
8	1070305003	Frame for load roller	2	
9	9000002326	Link plate	4	Double wheel
10	1070325001	Washer	8/4(D/S)	
11	0000027001	Bearing	8/4(D/S)	6204
12	2000416002	Wheel	4(Double)	∅80×70
13	0000028009	Roll pin	8(Double)	∅5×35
14	2000407001	Shaft for wheel	4(Double)	∅20×94
15	0000028009	Roll pin	2(Single)	∅5×35
16	2000407004	Shaft for wheel	2(Single)	∅20×131
17	2000416003	Wheel	2(Single)	∅80×93
18	9000002333	Bushing	4 (Double)	∅18×∅20×12

Fig. 3 Drive system

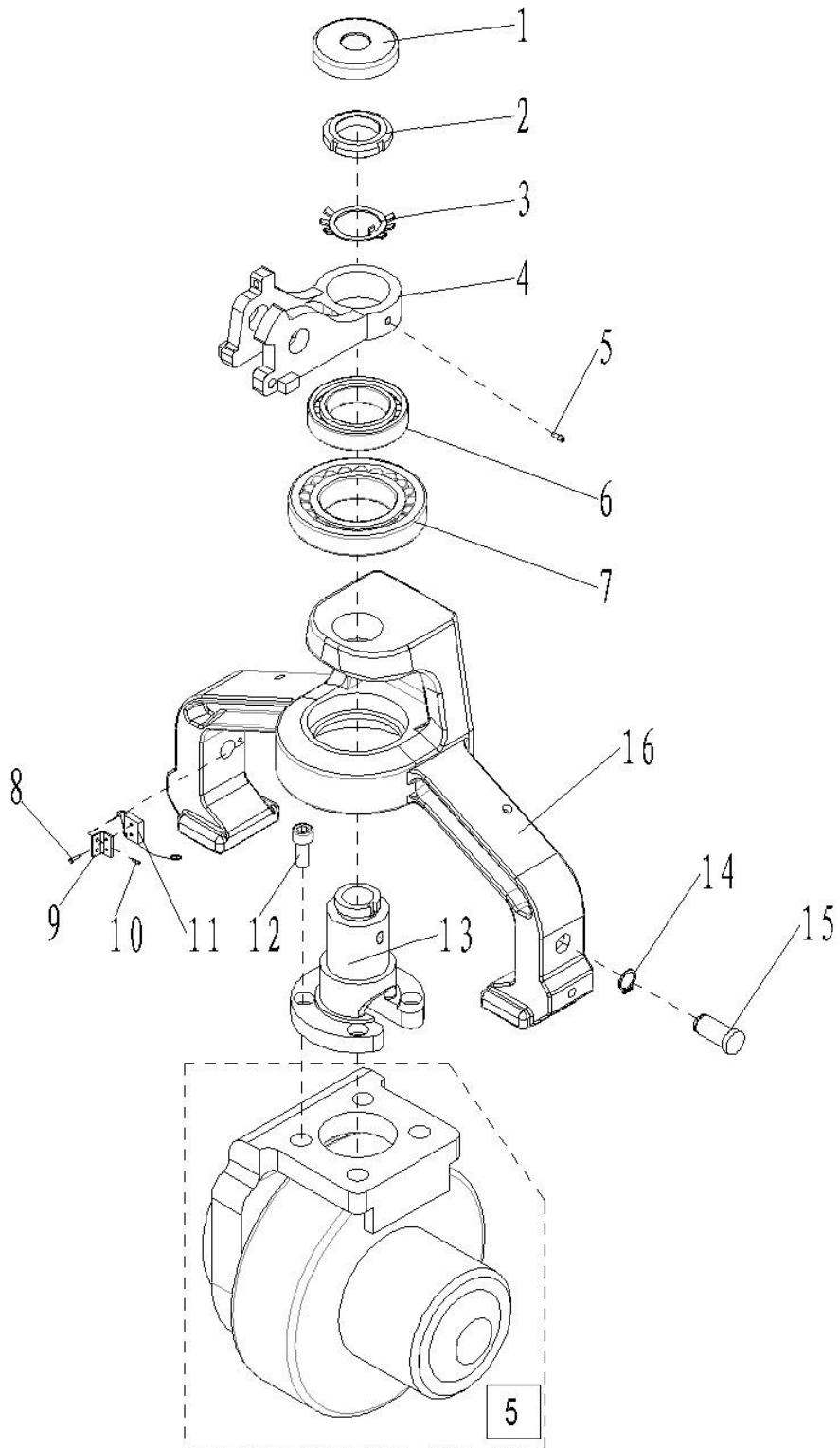


Fig. 3 Drive system

No.	Art No.	Description	Qty.	Note
1	9000002312	Wire cover	1	
2	0000024039	Round nuts	1	M36×1.5
3	0000024062	Stopping collar	1	36
4	9000001913	Tiller block	1	
5	0000023040	Screw	1	M6×16
6	0000027065	Bearing	1	6010
7	0090000040	Tapered roller bearing	1	30212
8	0090000081	Screw	2	M2×10
9	9000001916	Plate for micro switch	1	
10	0000023611	Screw	2	M4×10
11	9000002135	Micro switch	1	WS1-T5-W200R200
12	0000023088	Screw	4	M10×25
13	9000001915	Connection flange	1	
14	0000026019	Retaining ring	2	16
15	9000001973	Shaft	2	
16	9000001905	Drive wheel block	1	Normal castors
	9000009146		1	Suspension castors
15	9000001023	Drive wheel	1	

Fig. 4 Cylinder

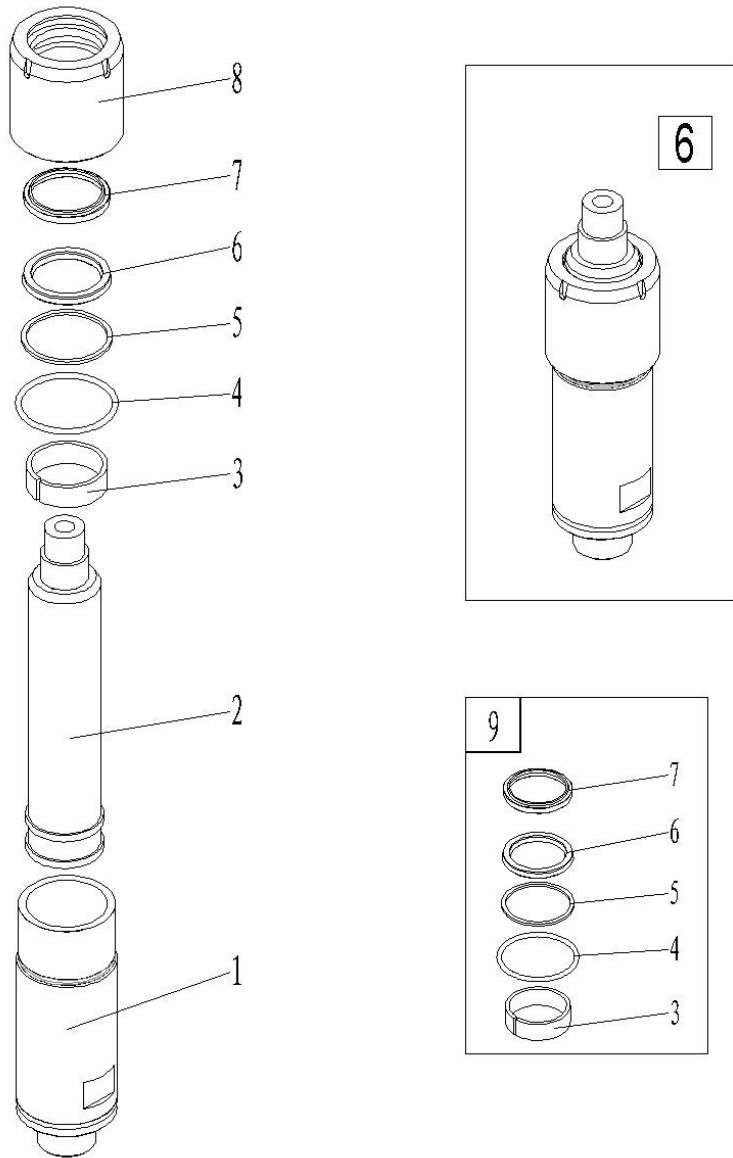


Fig. 4 Cylinder

No.	Art No.	Description	Qty.	Note
1	9000001982	Cylinder body	1	
2	9000001985	Piston rod	1	
3	2400308002	Guide ring	1	50×45×15
4	0000022049	O-ring	1	56×3.55
5	9000001987	Seal washer	1	
6	0000022003	Sealing ring	1	45×55×8
7	0000022004	Rubber dustproof seal ring	1	45×53×6.5
8	9000001986	End caps	1	
9	9000003706	Seal kit	1	
⑥	9000001981	Cylinder	1	

Fig. 5 Drive wheel

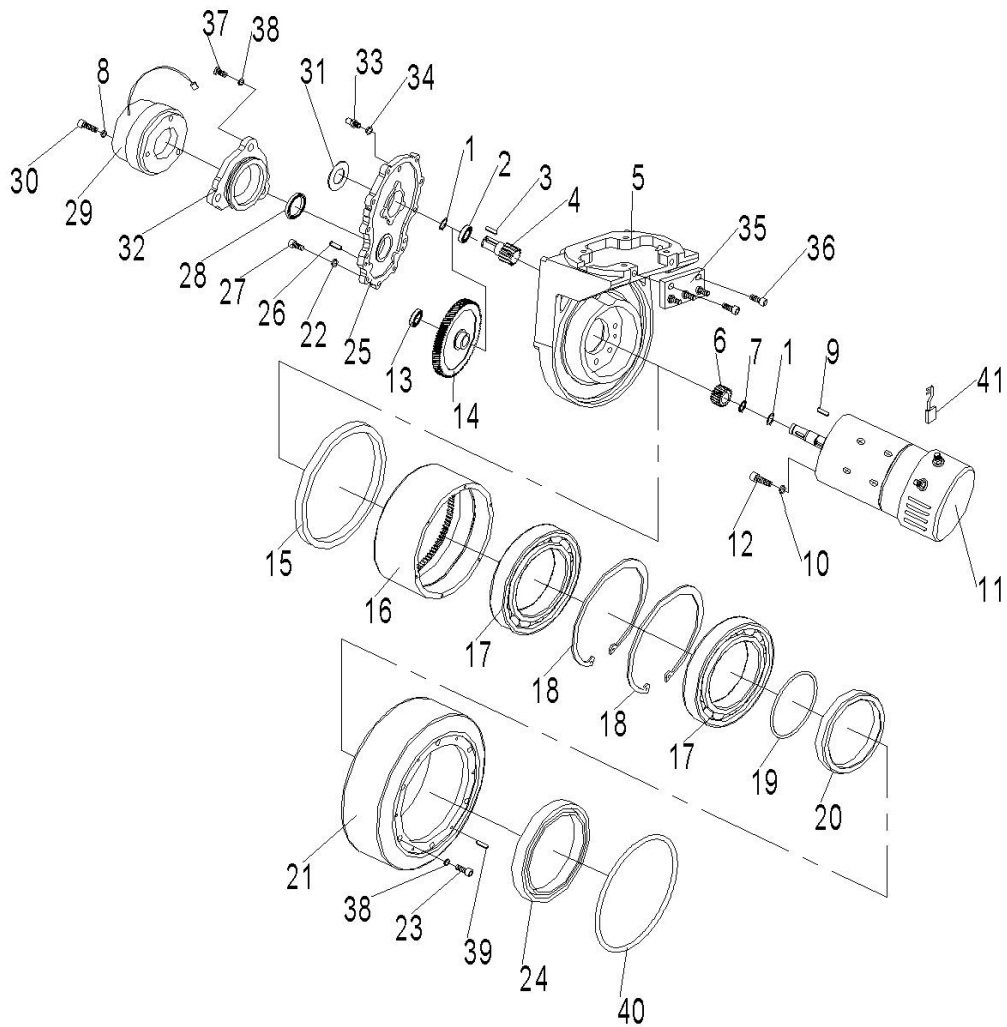


Fig. 5 Drive wheel

No.	Art No.	Description	Qty.	Note
1	0000026005	Retaining ring	2	17
2	0000027068	Bearing	1	6203
3	0000036005	Flat key	1	5×18
4	9000002136	Gear shaft	1	19EL100005
5	9000002137	Gear box	1	19EL100001
6	1070309001	Small gear	1	
7	0000026004	Retaining ring	1	15
8	0000025009	Elastic washer	3	4
9	0000036002	Flat key	1	5×15

10	0000025020	Washer	5	8
11	9000002138	Magnet motor	1	0.65KW
12	0000023061	Screw	5	M8×25
13	0000027086	Bearing	1	61905
14	1070309002	Big gear	1	
15	0090000178	Skeleton oil seal	1	160×174×10
16	9000002139	Internal gear ring	1	19EL100008
17	0090000179	Bearing	2	61824
18	0090000180	Retaining ring	2	150
19	0090000181	O-ring	1	115×2.65
20	9000002140	Block filter seal	1	19EL100009
21	9000002141	Wheel	1	19EL110000
22	0000025006	Elastic washer	11	6
23	0090000182	Screw	10	M5×14
24	9000002142	Sealing ring	1	19EL100011
25	1070302007	Gear box cover	1	
26	0000028144	Roll pin	2	B6×20
27	0000023063	Screw	11	M6×16
28	0090000183	Skeleton oil seal	1	17×28×7
29	1070335002	Electromagnetic brakes	1	
30	0000023674	Screw	3	M4×45
31	1070302008	Cover	1	
32	1070302009	Protection cover	1	
33	1000237001	Vent-plug	1	M10×1
34	0000025021	Combination washer	1	10
35	1070302010	Cable fixing plate	1	
36	0000023675	Screw	2	M5×16
37	0000023065	Screw	3	M5×25
38	0000025012	Elastic washer	13	5
39	0090000184	Roll pin	2	5×20
40	0090000185	O-ring	1	140×2.65
41	9000002143	Carbon brush	1	

Fig. 6.1 Normal castors

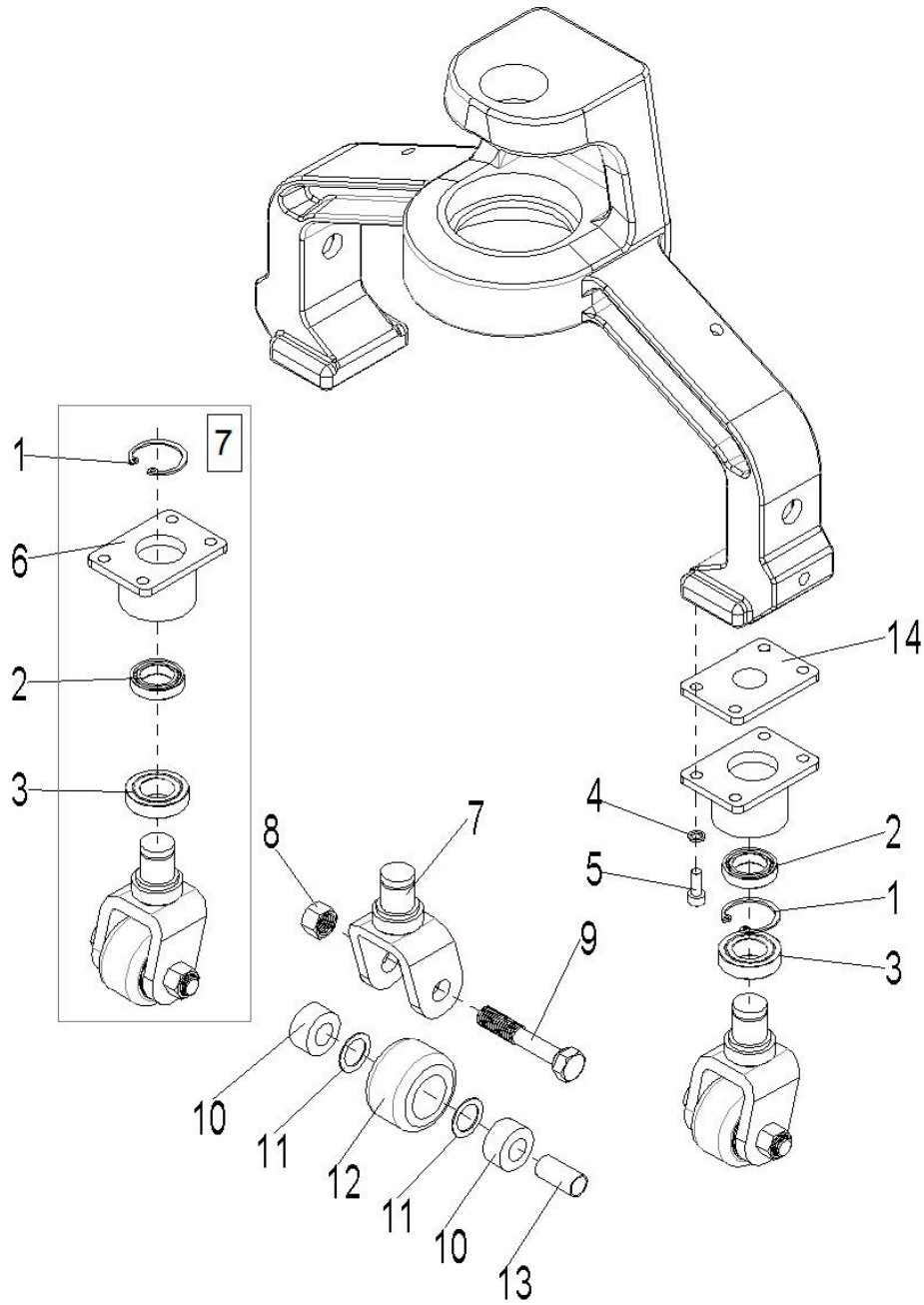


Fig. 6.1 Normal castors

No.	Art No.	Description	Qty.	Note
1	0000026003	Retaining ring	2	20
2	0000027082	Bearing	2	61804
3	0090000079	Bearing	2	32904
4	0000025010	Elastic washer	8	6
5	0000023040	Screw	8	M6×16
6	9000007432	Wheel frame	2	From 13070871
7	9000007433	Castor frame	2	From 13070871
8	0000024006	Lock nut	2	M12
9	0090000169	Screw	2	M12×65
10	0000027037	Bearing	4	
11	1070225001	Washer	4	17.5×25×0.8
12	1070216001	Wheel	2	
13	1070213004	Shaft sleeve	2	
14	9000001918	Adjustment washer	Opt.	
7	9000007434	Support wheel	2	From 13070871

Fig. 6.2 Suspension Castors

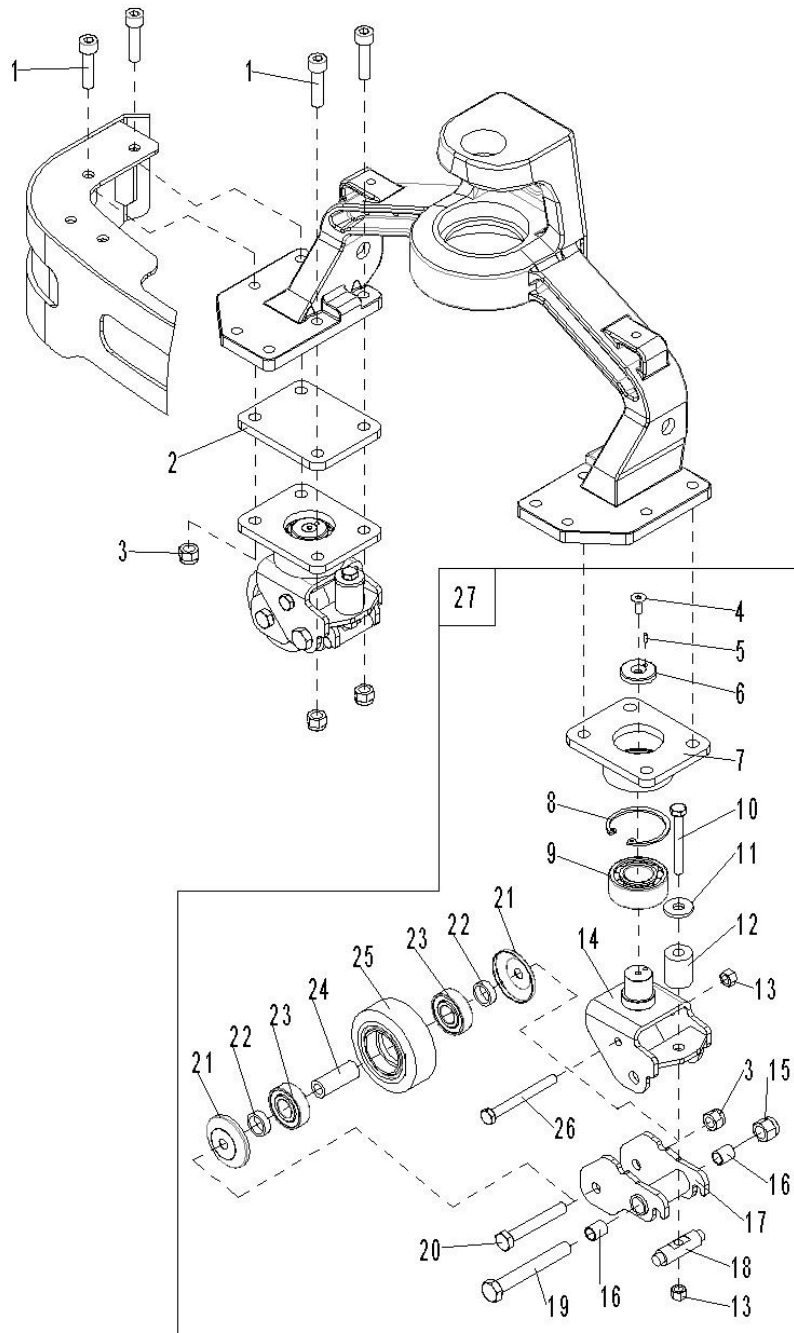


Fig. 6.2 Suspension Castors

No.	Art No.	Description	Qty.	Note
1	0000023025	Screw	8	M10×40
2	1000404031	Adjustment plate	可选	1mm
3	0000023005	Lock nut	10	M10
4	1000523002	Screw	2	M6×14
5	0000028004	Roll pin	2	4×14
6	1000426001	Shaft Collar	2	
7	1000401007	Plate	2	
8	0000026002	Retaining ring	2	52
9	0000027002	Bearing	2	3056205
10	0090000052	Screw	2	M8×65 [CR2014-010]
11	0000025061	Washer	2	8
12	9000009155	Polyurethane spring	2	
13	0000023081	Lock nut	4	M8 [CR2014-010]
14	9000009148	Wheel frame	2	
15	0000024085	Lock nut	2	M12
16	1000413002	Bushing	4	12×15×15
17	9000009151	Turning frame	2	
18	9000009156	Shaft	2	
19	0090000416	Screw	2	M12×90
20	0090000415	Screw	2	M10×70
21	9000009159	Dust cover	4	
22	9000009158	Ring	4	
23	0000027068	Bearing	4	6203
24	9000009157	Shaft bushing	2	
25	9000008793	Wheel	2	80×30
26	0090000413	Screw	2	M8×80 [CR2014-010]
27	9000009147	Castor	2	

Fig. 7 Pump

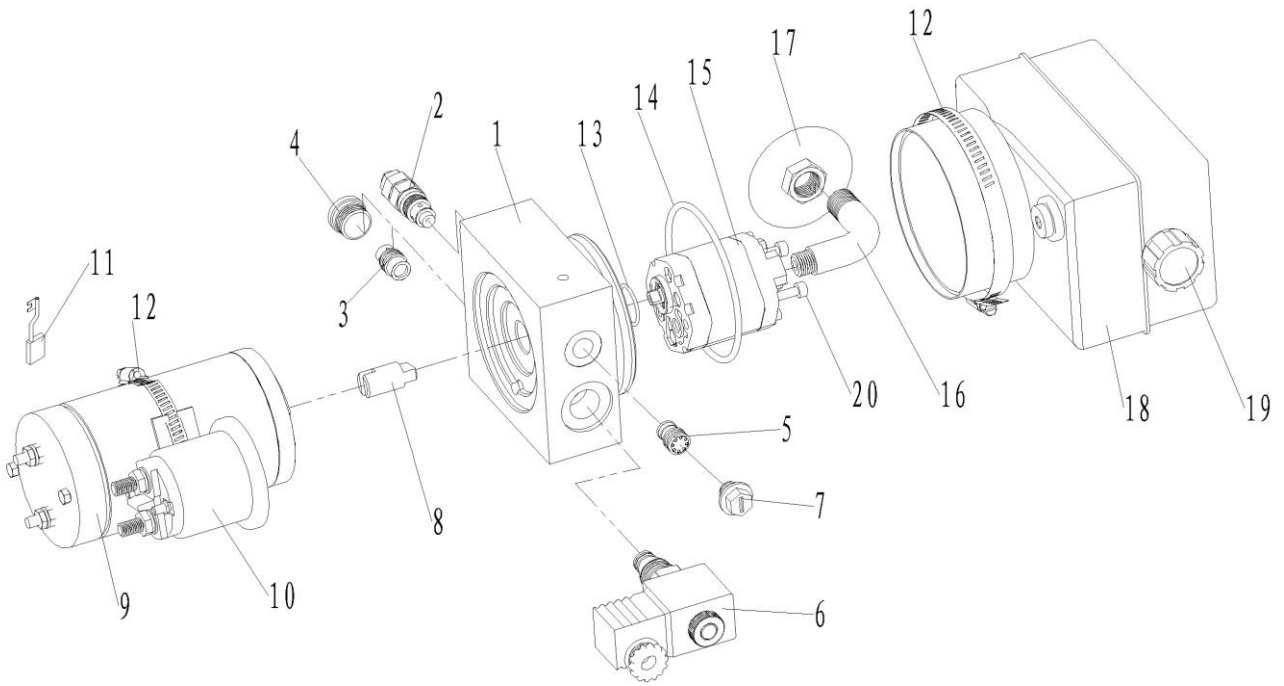


Fig. 7 Pump

No.	Art No.	Description	Qty.	Note
1	9000002144	Center valve block	1	CMT-1182-04
2	9000002145	Overflow valve	1	RV-06
3	9000002146	Pressure fill valve	1	RPCV-02-04
4	9000002147	Plug	1	SVP06
5	9000002148	Non-return valve	1	CV03
6	9000002149	Solenoid valve	1	SCV-024DC
7	9000002150	Plastic plug	1	PVP01
8	9000002151	Coupling	1	DCP-465
9	9000002152	DC motor	1	MD24080
10	9000002153	Contactora	1	DK0224
11	9000002193	Carbon brush	1	
12	9000002154	Hoop	2	KG01
13	0090000187	O-ring	1	21.2×1.8
14	0090000188	O-ring	1	87.5×3.55
15	9000002155	Gear pump	1	CBK-F110
16	9000002156	Oil elbow	1	FP03G
17	9000002157	Oil absorption filter	1	FS03B
18	9000002158	Tank	1	TP094C140-H
19	9000002159	Tank cover	1	FC03
20	0000023673	Screw	2	M5×16

Fig. 8 Tiller

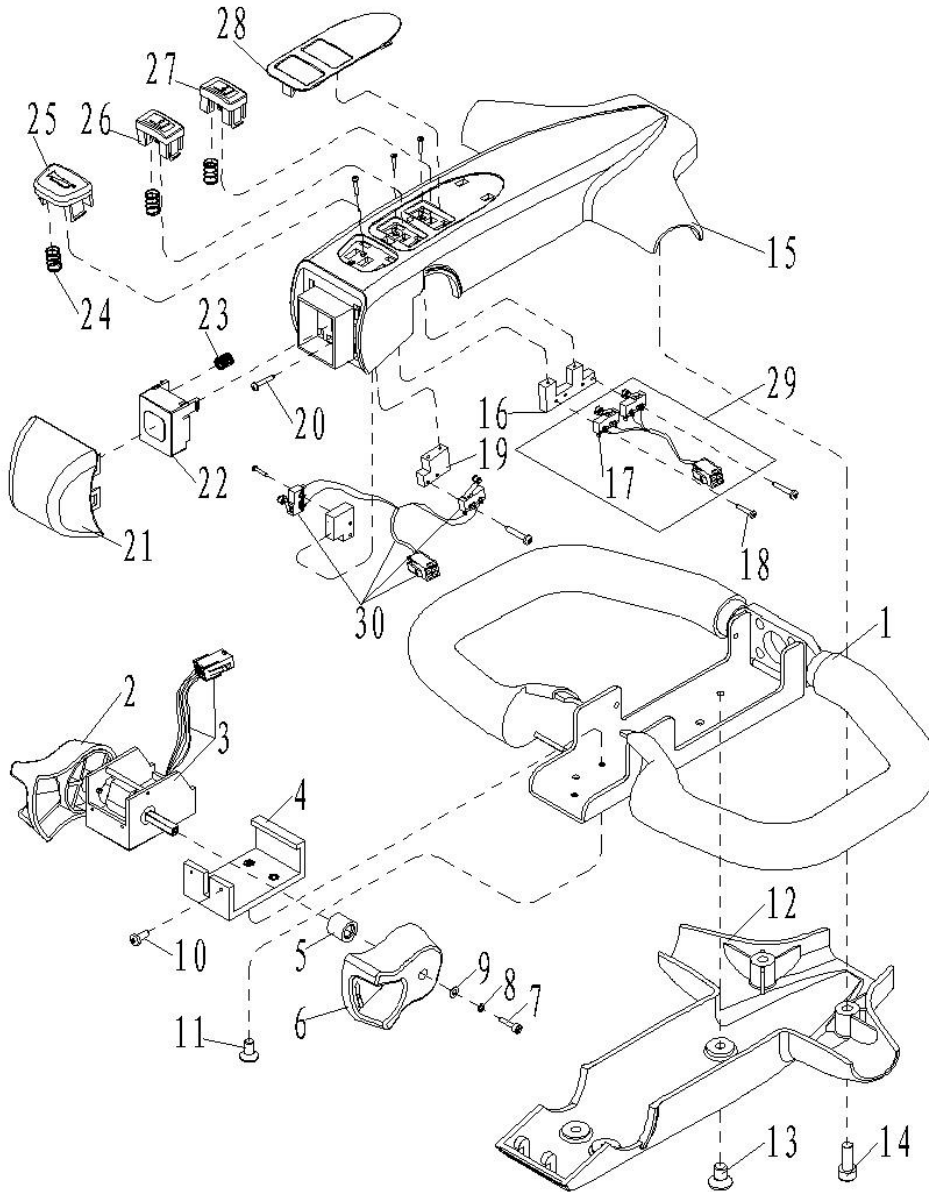


Fig. 8 Tiller

No.	Art No.	Description	Qty.	Note
1	9000002189	Tiller block	1	Rubber
2	9000002175	Left drive button	1	ABS
3	9000008334	Accelerator	1	BD-190
4	9000002177	Accelerator connector	1	ABS
5	9000002188	Plastic cover	1	ABS
6	9000002176	Right drive button	1	ABS
7	0000023304	Screw	2	M3×12
8	0000025003	Elastic washer	2	3
9	0000025026	Washer	2	3
10	0090000190	Screw	2	M3×8
11	0090000189	Screw	3	M4×8
12	9000002179	Lower cover	1	ABS
13	0000023138	Screw	4	M6×10
14	0000023040	Screw	2	M6×16
15	9000002178	Upper cover	1	ABS
16	9000002311	Micro switch plate	1	ABS
17	9000002161	Micro switch	4	
18	0090000261	Screw	14	M2.2×13
19	9000002310	Micro switch plate	2	ABS
20	0090000262	Tapping screw	7	ST2.2 × 9.5
21	9000002180	Belly button	1	ABS
22	9000002181	Belly block	1	ABS
23	9000002182	Spring	4	0.8
24	9000002186	Spring	6	0.5
25	9000002183	Horn	1	ABS
26	9000002184	Lifting button	1	ABS
27	9000002185	Lowing button	1	ABS
28	9000002187	Sticker	1	ABS
29	9000002473	Micro switches 2	1	
30	9000002190	Micro switches 1	1	

Fig. 9 Tiller arm

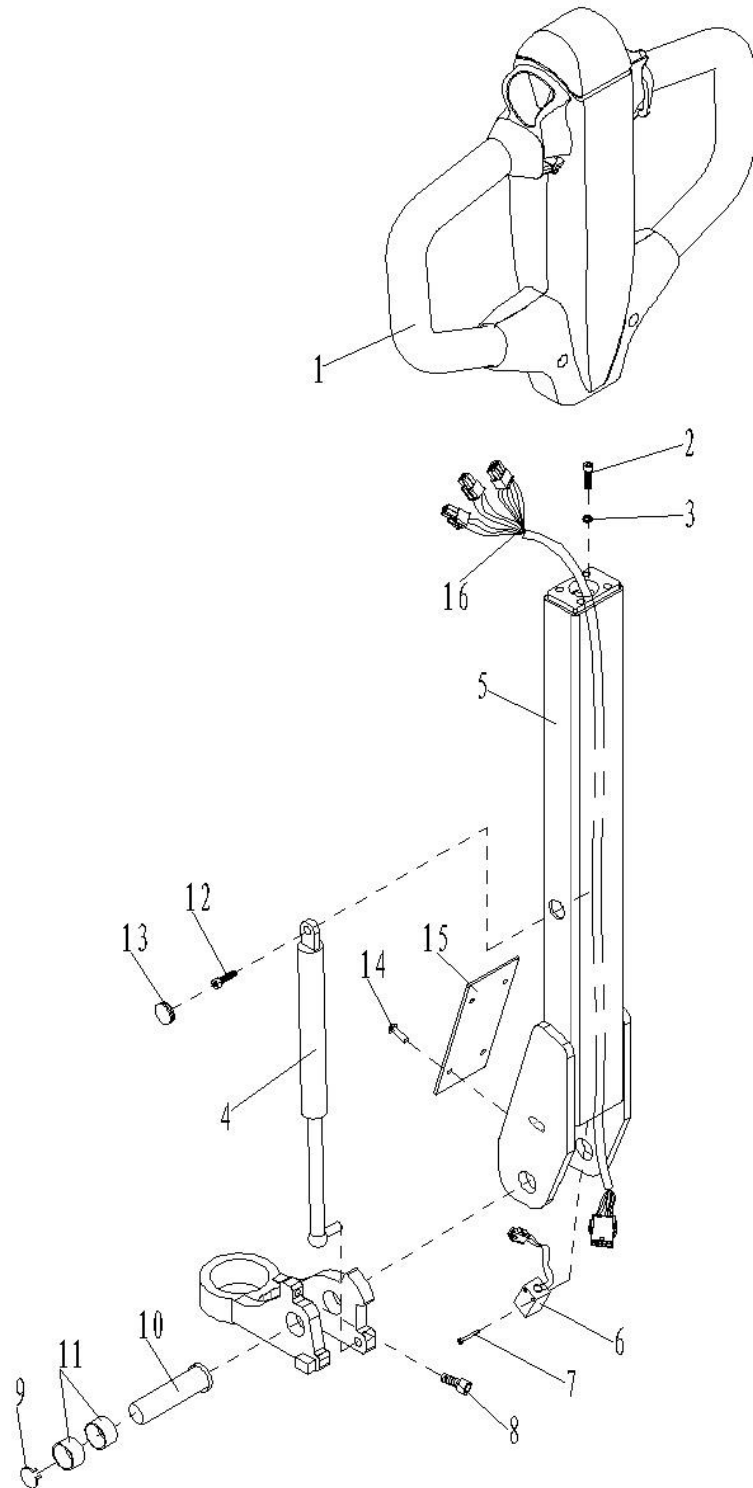


Fig. 9 Tiller arm

No.	Art No.	Description	Qty.	Note
1	9000001927	Tiller	1	
2	0000023061	Screw	4	M8×25
3	0000025004	Elastic washer	4	8
4	9000007398	Air spring	1	
5	9000001929	Tiller arm	1	
6	9000002319	Proximity switch	1	NBN5-FT-E2
7	0000023075	Screw	2	M3×20
8	0000023067	Screw	1	M8×16
9	0000026003	Retaining ring	1	20
10	9000001933	Shaft of tiller	2	
11	0000013002	Washer	2	20×22×12
12	1000123001	Screw	1	M8×20
13	1030418001	Cover	1	
14	0090000041	Screw	4	M5×10
15	9000002318	Metal cover	1	
16	9000002471	Tiller cable	1	

Fig. 10 Hydraulic system

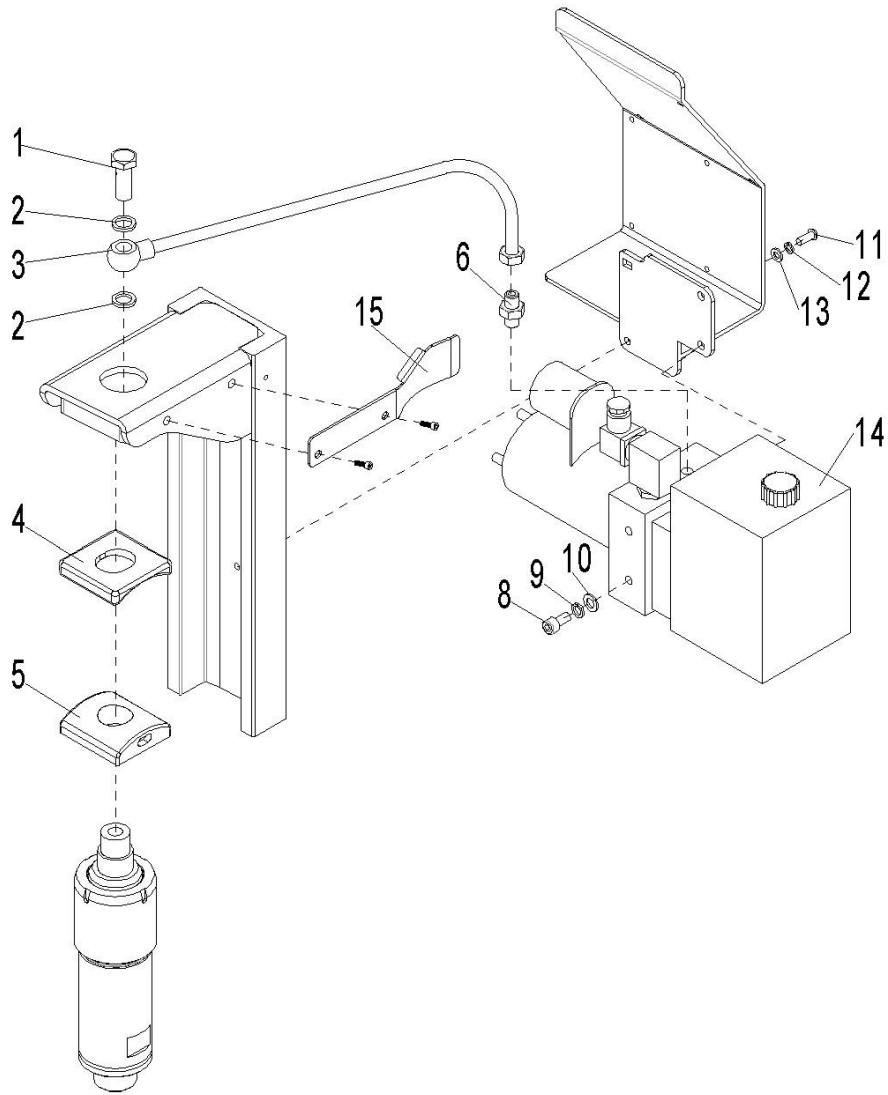


Fig. 10 Hydraulic system

No.	Art No.	Description	Qty.	Note
1	0000023410	Hinge bolt	1	M14×1.5×35
2	9000006022	Combination sealing washers	2	14
3	9000006020	Pipe	1	
4	9000001988	Support plate	1	
5	9000001989	Transition plate	1	
6	9000006021	Straight connector	1	
7	0000022002	O-ring	1	Canceled
8	0000023067	Screw	2	M8×16
9	0000025001	Elastic washer	2	8
10	0000025011	Washer	2	8
11	0000023555	Screw	1	M6×16
12	0000025010	Elastic washer	1	6
13	0000023055	Washer	1	6
14	9000000807	Pump	1	Vibo 0.8KW
15	9000009998	Pipe holder plate	1	[CR2014-010]

Fig. 11 Control system

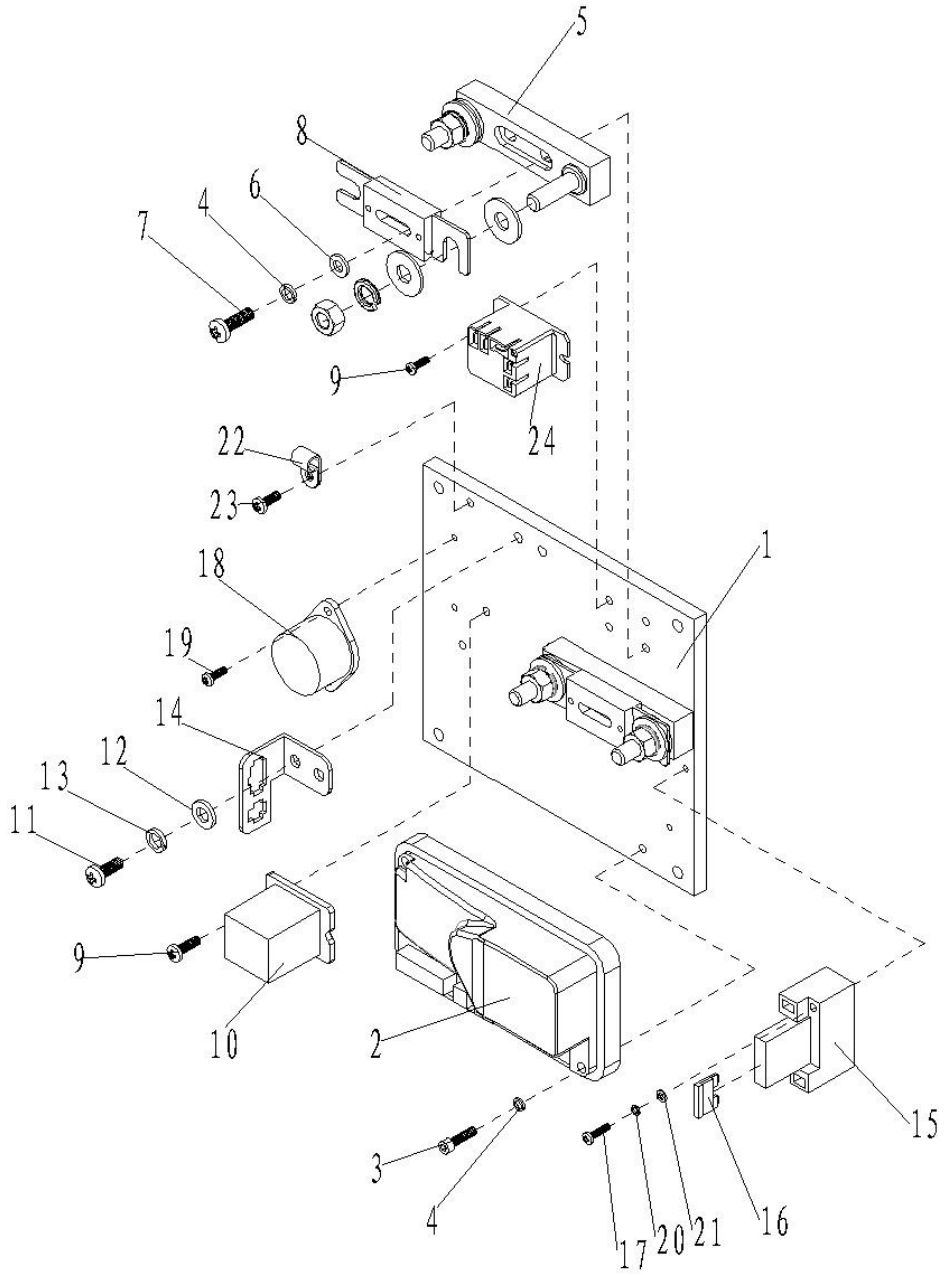


Fig. 11 Control system

No.	Art No.	Description	Qty.	Note
1	9000002066	Aluminum plate	1	
2	9000009802	Controller	1	CURTIS 1212P-2501
3	0000023033	Screw	2	M4×25
4	0000025018	Elastic washer	8	4
5	1000434007	Fuse holder	2	
6	0000025019	Washer	6	4
7	0000023211	Screw	2	M4×16
8	1000434020	Fuse	2	60A
9	0000023071	Screw	4	M4×8
10	1070335001	Protection mode	1	BD-W-115
11	0000023516	Screw	2	M5×10
12	0000025014	Washer	2	5
13	0000025015	Elastic washer	2	5
14	1000404005	Connector plate	1	
15	1000434021	Fuse holder	1	BD-1×10A
16	1000434040	Blade fuse	1	10A
17	0000023074	Screw	2	M3×30
18	9000007394	Buzzer	1	HYD-4216W 24VDC
19	0000023648	Screw	2	M3×8
20	0000025003	Elastic washer	2	3
21	0000025026	Washer	2	3
22	1000403004	Cable holder	1	UC-2
23	0000023307	Screw	1	M4×10
24	9000002322	Relay	1	ARP12F-1C 24VDC

Fig. 12 Electrical system

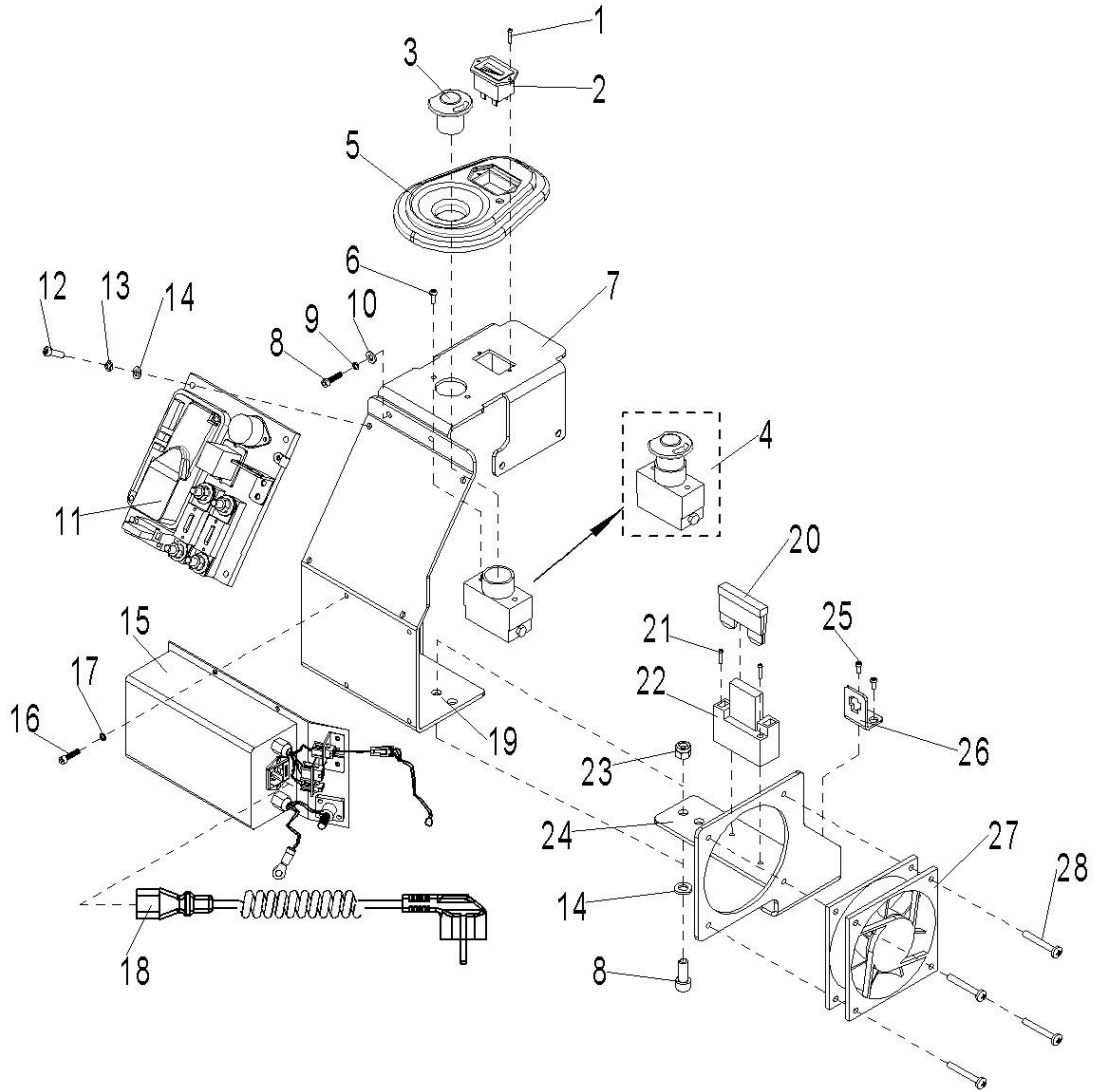


Fig. 12 Electrical system

No.	Art No.	Description	Qty.	Note
1	0090000083	Screw	2	M3×25
2	9000009801	Indicator	1	Curtis906
3	9000002163	Key	1	S100/80
4	1070334008	Emergency button	1	S100/80
5	9000001977	Instrument panel	1	
6	0000023311	Screw	2	M5×10
7	9000001975	Instrument plate	1	
8	0000023555	Screw	4	M6×16
9	0000025010	Elastic washer	2	6
10	0000023055	Washer	2	6
11	9000002065	Control board	1	
12	0000023107	Screw	4	M5×16
13	0000025015	Elastic washer	4	5
14	0000025014	Washer	6	5
15	1080420001	Charger 24V/8A QQE192-8CH17-26B	1	Input 230AC
	1080420002	Charger 24V/8A QQE192-8CH18-26B	Opt.	Input 115AC
16	0090000081	Screw	4	M4×12
17	0000025018	Elastic washer	4	4
18	1010434009	Spring wire	1	Option
19	9000001961	Electrical board	1	
20	1010434008	Fuse	1	1A
21	0000023074	Screw	2	M3×30
22	1000434021	Fuse plate	1	BD-1×10A
23	0000024045	Lock nut	2	M6
24	9000008753	Fan fixing plate	1	
25	0000023516	Screw	2	M5×10
26	1010404005	Connector holder	1	
27	1010434007	Fan	1	ADDA DC12V
28	0000023041	Screw	4	M4×30

Fig. 13 Truck body

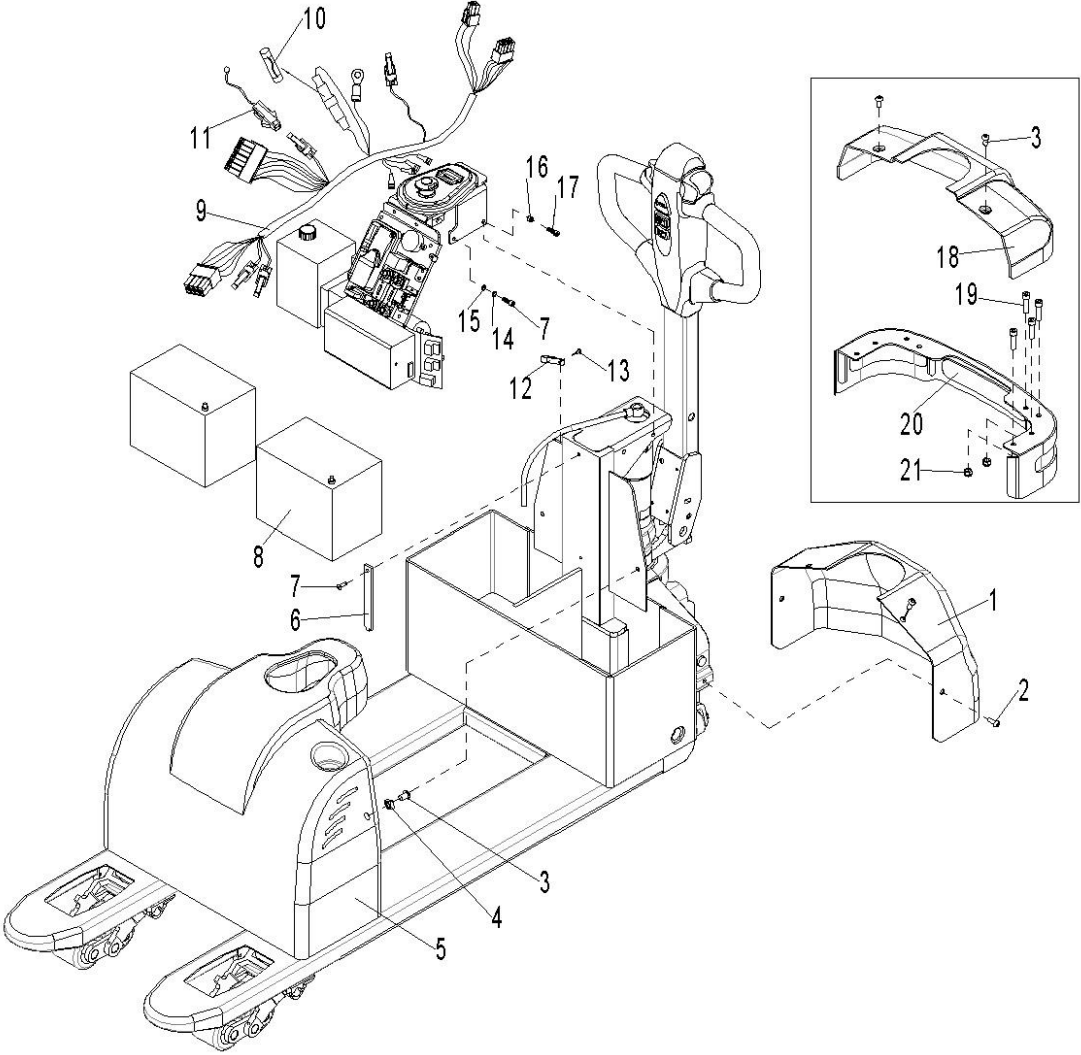


Fig. 13 Truck body

No.	Art No.	Description	Qty.	Note
1	9000001914	Motor cover	1	
2	1010423001	Screw	6	M8×20
3	1000423001	Screw	2	
4	2040424001	Active nuts	2	M10-5
5	9000001969	Cover	1	540
	9000009800		1	685
6	9000001978	Support reinforcement	1	
7	0000023629	Screw	8	M6×16
8	9000001970	Battery	2	12V/64Ah
9	9000002472	Control cable	1	
10	9000002324	Fuse 5*20 0.5A	1	
11	9000002192	Fault display LED	1	
12	9000002325	Mount UC-5	3	
13	0000023052	Screw	3	
14	0000025010	Elastic washer	2	
15	0000023055	Washer	2	
16	9000001979	Ring	2	
17	0000023030	Screw	2	
18	9000009160	Cover	1	Suspension castors
19	0000023025	Screw M10×40	8	
21	0000023005	Lock nut M10	8	
22	9000009161	Apron	1	

Fig. 14 Cables

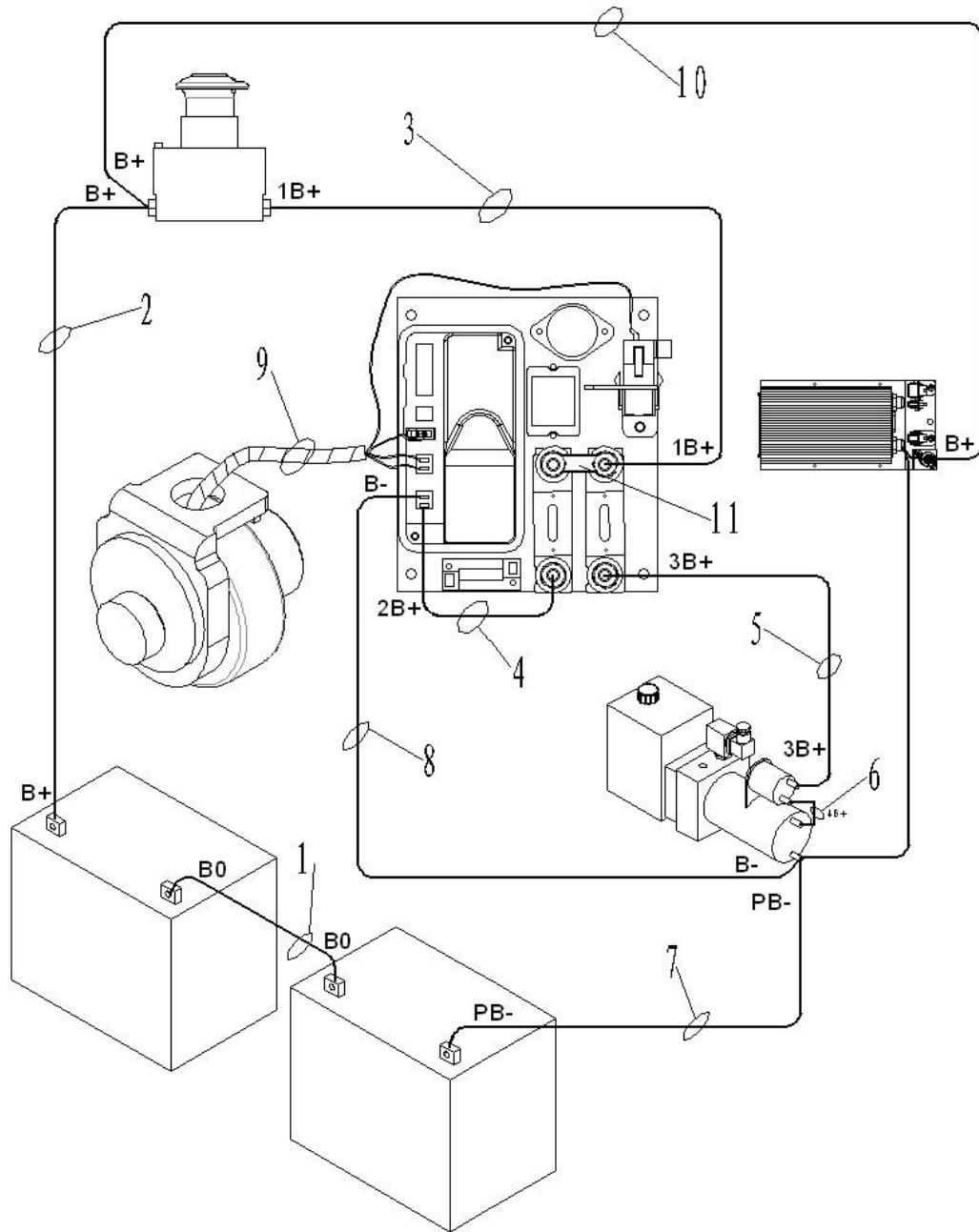


Fig. 14 Cables

No.	Art No.	Description	Qty.	Note
1	9000002164	B0 line	1	
2	9000002165	B+ line	1	
3	9000002166	1B+ line	1	
4	9000002167	2B+ line	1	
5	9000002168	3B+ line	1	
6	9000002169	4B+ line	1	
7	9000002170	PB- line	1	
8	9000002171	B- line	1	
9	9000002172	Drive wheel cable	1	
10	9000002173	Charger B+	1	
11	1020434003	Copper bar	1	

Fig. 15 Sticker for EU

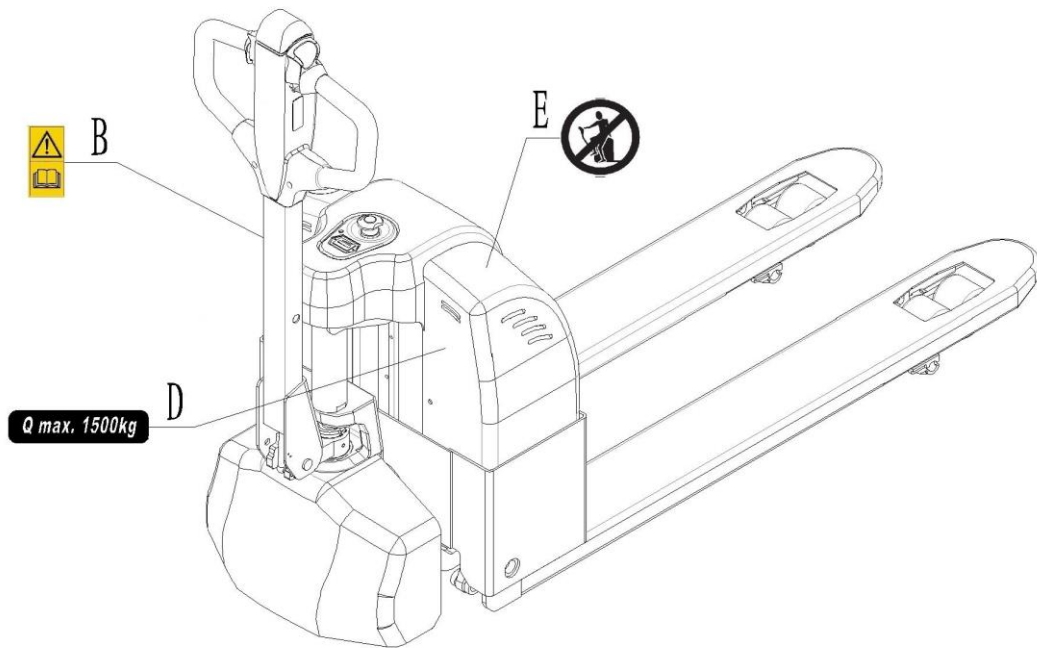


Fig. 15 Sticker for EU

No.	Art No.	Description	Qty.	Note
B	9000003570	Sign read and follow this instruction	1	
D	9000003572	Sign capacity sticker	1	
E	9000003573	'No passengers' decal	1	

Fig. 16 Sticker for US

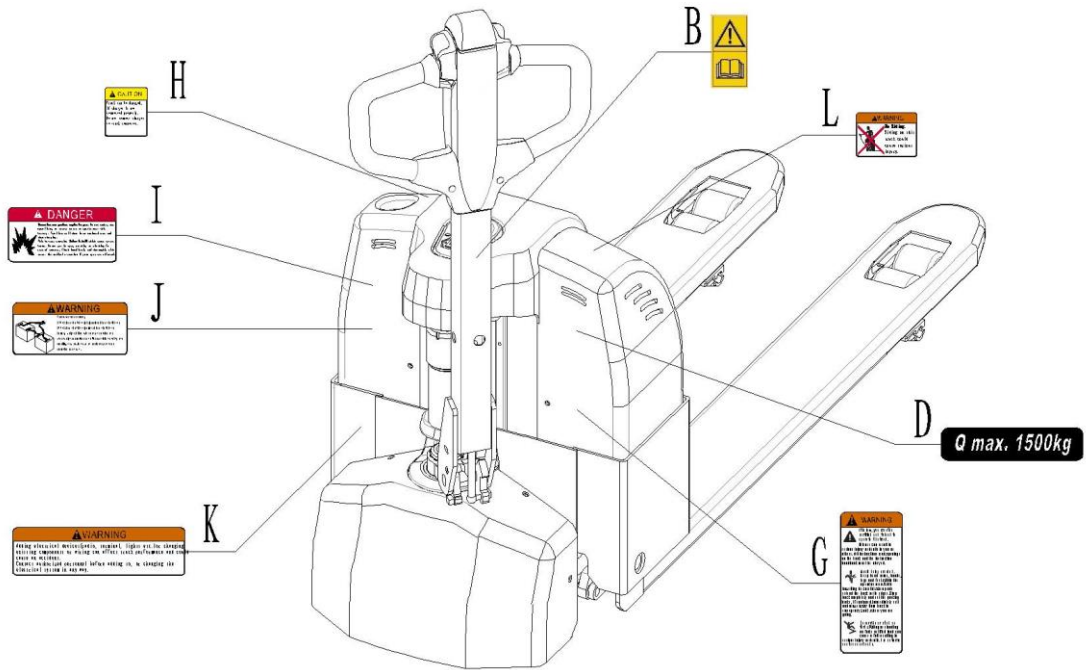


Fig. 16 Sticker for US

No.	Art No.	Description	Qty.	Note
B	9000003570	Sign read and follow this instruction	1	
D	9000003572	Sign capacity sticker	1	
G	9000003575	Sign warning stay clear stop truck	1	
H	9000003576	Sign caution charger	1	
I	9000003577	Sign danger battery	1	
J	9000003578	Sign warning battery size	1	
K	9000003579	Sign warning electrical devices	1	
L	9000003580	Sign danger not riding	1	



MOBILE INDUSTRIES INC.

3610 Mavis Road, Mississauga, Ontario, L5C 1W2, CANADA

Tel: (905) 279-5370 Toll-free: 800-527-4612 Fax: (905) 279-7384 Toll-free: 800-952-5097

E-mail: intl@mobilept.com Website: www.mobilept.com