



# OPERATING INSTRUCTIONS & PARTS BREAKDOWN EELT770N LIFT TABLE

---

VERSION	SEPT 2019
MODEL	ECO EELT770N ELECTRIC LIFT TABLE
APPLICABLE PRODUCTS	EELT770N

---

NOTE: Owner and operator MUST read and understand the operating instructions before using the unit.

*BEFORE OPERATING THE LIFTER, READ THIS MANUAL CAREFULLY AND UNDERSTAND COMPLETELY , KEEP THIS MANUAL ON FILE FOR FUTURE REFERENCE , IF THIS IS LOST , PLEASE CONTACT YOUR LOCAL SUPPLIER FOR A NEW COPY , IF THE WARNING/CAUTION LABEL ON THE UNIT IS LOST , PLEASE CONTACT YOUR LOCAL SUPPLIER FOR A NEW COPY.*



**NOTE:** On this manual, **WARNING** means the danger which can lead to death or serious injury.



**CAUTION** means the danger which can lead to slight injury or property damage.

## **1. WARNING**

- (1.) Do Not put foot or hand in scissors mechanism.*
- (2.) Do Not allow other person to stand in front of or behind lifter when it is moving.*
- (3.) Do Not move lifter when table is in raised position. Load could fall down.*
- (4.) Do Not enter under table.*
- (5.) Do Not overload lifter.*
- (6.) Do Not put foot in front of rolling wheel, Injury could result.*
- (7.) Watch difference of floor level when moving lifter. Load could fall down.*
- (8.) Do Not use lifter on slope or inclined surface, lifter may become uncontrollable and create danger.*
- (9.) Do Not lift people. People can fall down and suffer severe injury.*
- (10.) Do Read "Caution" on the case of power pack of the lifter, before daily operation.*

## **2. CAUTION**

- (1.) Read this manual carefully and understand completely before operating lifter. Improper operation could create danger.*
- (2.) This lifter is a movable lifter designed to lift or lower rated load on table.  
Do Not use lifter for other purpose than its intended use.*
- (3.) All lifter service must be performed by qualified personnel only.*
- (4.) Do Not lower table too fast. Load could fall down and create danger.  
Lower speed controller is available for safety purpose.*
- (5.) Keep watching the condition of load. Stop operating lifter if load becomes unstable.*
- (6.) Brake lifter and switch the breaker off when sliding load on or off table.*
- (7.) Do Not side or end load. Load must be distributed on at least 80% of table area.*
- (8.) Do Not use lifter with unstable, unbalanced loosely stacked load.*
- (9.) Practice maintenance work according to Regular Inspection.*
- (10.) Do Not modify lifter without manufacturer's written consent especially the electric device.*
- (11.) Remove load from table and when servicing lifter, please use safety stopper to prevent table from lowering.*
- (12.) This lifter is not designed to be water resistant. Use lifter under dry condition.*
- (13.) Prolonged continuous operation might cause damage of power pack.*
- (14.) Stop operation if temperature of hydraulic oil is too high.*
- (15.) Do Not supply built-in charger with AC voltage other than 110V or 220V.*

### 3.DAILY INSPECTION

*Daily inspection is effective to find any malfunction or fault on the lifter. Check lifter on the following points before operation.*



#### CAUTION

**DO not use lifter if any malfunction or fault is found**

*(1.) Check for scratch, bending or cracking on the lifter.*

*(2.) Check if there is any oil leakage from the cylinder.*

*(3.) Check the vertical creep of Table.*

*(4.) Check the smooth movement of the wheels.*

*(5.) Check the function of brake.*

*(6.) Check if all the bolts and nuts are tightened firmly.*

*(7.) Check the storage level by turning the circuit breaker on.*

*(8.) Check the lifting and lowering conditions by switching buttons on.*

*(9.) Check if there are broken hoses or broken electric wires by eyes.*

## 4. OPERATING LIFTER

### 4-1 How to use the brake



CAUTION

Brake lifter when not moving it in order to prevent sudden movement.

The brake is equipped with the swivel caster on the right.

- (1.) Braking the wheel, press the brake pedal.
- (2.) Release the brake, lift up the brake pedal.

### 4-2 Lifting the table



CAUTION

1. Do Not overload lifter. Stay within it's rated capacity.
2. Do Not side or end load. Load must be distributed on at least 80% of table area.
3. Prolonged continuous working might cause damage of hydraulic power pack.
4. Stop operation if temperature of hydraulic oil is too high.
5. Do Not lift people. People could fall down and suffer severe injury.

(1.) Press the switch "UP" and the table lifts up to the desired position ranging vertical travel.

(2.)

Maximum Capacity Of Table			
EELT660N	EELT1100N	EELT1650N	EELT770N
660lbs / 300Kg	1100lbs / 500Kg	1650lbs / 750Kg	770lbs / 350Kg

Do not over load lifter.

### 4-3 Lowering table



CAUTION

1. Do Not put foot or hand in scissors mechanism.
2. Do Not lower table with load too fast and stop suddenly. Impact load could be created and lifter could be damaged.

Push the swich "DOWN" and the table lowers down to the desired position.

## 5. MOVING LIFTER



### CAUTION

- DO NOT move lifter on slope or inclined surface. Lifter may become uncontrollable and create danger.
- DO NOT allow other person stand in front of or behind lifter when it is moving.
- DO NOT move lifter when table is in raised position. Load could fall down.
- DO NOT put foot in front of rolling wheels. Injury could result.
- Watch difference of floor level when moving lifter. Load could fall down.

- (1.) Make the load stable to prevent it from falling down.
- (2.) Lower the table down before moving.
- (3.) Release the brake and move the lifter.
- (4.) Keep watching the condition of load. Stop operating lifter if load becomes unstable.

## 6. CHARGING THE BATTERY

- (1.) The lifter is equipped with “Free Maintenance” seal type battery. Need not attend but replace when worn out.
- (2.) Turn the circuit breaker off when charging the battery.
- (3.) The attached automatic charger is only available for the optional voltage of 110V or 220V as referred.
- (4.) Check the storage level indicator on the power pack for the battery condition.
- (5.) The switch of charger turns off automatically when the battery reaches 80% capacity or exceeds 12 hours in charging condition.
- (6.) Check the wiring or confirm AC voltage when AC power Indicator of Automatic Charger shows Abnormal by Red Flashlight.

## 7. REGULAR INSPECTION

- (1.) Check the items emphasized in daily inspection (daily).
- (2.) Lubricate with grease the rails where roller moves. Also lubricate the grease nipples (monthly).
- (3.) Lubricate all the pivoting points and axles (every 6 months).
- (4.) Replace the hydraulic oil (every 12 months).

## 8. TROUBLE SHOOTING

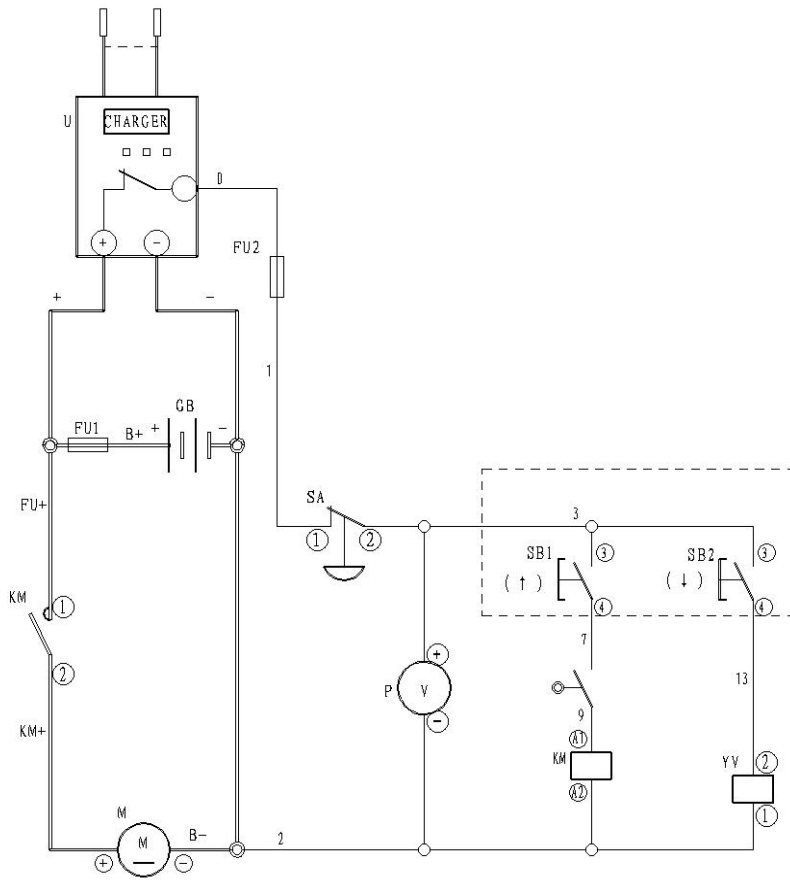
TROUBLE	CAUSE	REPAIR
Table does not rise while motor does not run.	1. Faulty wiring.	1. Check the wiring referring to the actual wiring diagram.
	2. Battery cord is disconnected.	2. Connect the battery cord.
	3. Battery charge is insufficient.	3. Charge the battery.
Table does not rise while motor runs.	1. Faulty adjustment of relief valve	1. Adjust relief valve again.
	2. Faulty hydraulic pump.	2. Replace power pack.
	3. Shortage of hydraulic oil.	3. Add oil.
Vertical creep of table	1. Oil leakage in lowering valve.	1. Replace lowering valve.
	2. Oil leakage from hydraulic circuit	2. Check hydraulic circuit and repair.
Oil leakage from cylinder	Faulty sealing.	Replace sealing.
Oil leakage from piping or joint.	Insufficient tightening.	Tighten joint again.
Oil leakage from air breathing	Excessive quantity of oil	Reduce oil quantity.
Battery fail to be charged	Battery is worn out	Replace battery
Charger shows abnormal by red flash	1. charger is not connected to breaker.	Connect cord to breaker.
	2. Poles are reverse inconnection.	Interchange the connection of poles

## 9. SPECIFICATIONS

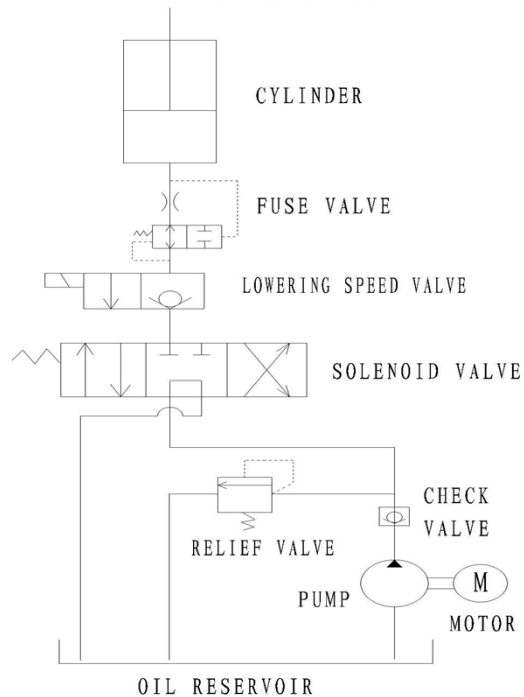
Model	EELT660N	EELT1100N	EELT1650N	EELT770N
Capacity (kg)	660lbs / 300Kg	1100lbs / 500Kg	1650lbs / 750Kg	770lbs / 350Kg
Table Size (mm)	33.46x19.68"/850x500mm	39.76x20.47"/1010x520mm	39.37x20.07"/1000x510mm	35.82x19.68"/910x500mm
Max Table Height (mm)	34.64" / 880mm	40.35 / 1025mm	38.18" / 970mm	51.18" / 1300mm
Min Table Height (mm)	11.41" / 290mm	17.32" / 440mm	16.53" / 420mm	14.56" / 370mm
Dimensions (mm) LxWxH	45.07x19.68x36.22" / 1145x500x920mm	51.37x51.37x38.18" / 1305x520x970mm	52.95x23.62x36.85" / 1345x600x936mm	47.44x19.68x36.22" / 1205x500x920mm
Vertical Travel (mm)	23.22" / 590mm	23.03" / 585mm	21.65" / 550mm	36.31" / 930mm
Lifting Motor (DC24V KW)	0.8	0.8	0.8	0.8
Battery	4x12v15Ah	2x12v24Ah	4x12v15Ah	4x12v15Ah
Charger (built-in) 24V3A	8.5Hr	8.5Hr	8.5Hr	8.5Hr
Approx. Lifting Speed	10	10	12	10
Wheel Dia.	φ 125	φ 150	φ 150	φ 125
Weight (Kgs)	255.2lbs / 116Kgs	345.4lbs / 157Kgs	352.0lbs / 160Kgs	312.4lbs / 142Kgs



# 10. WIRING DIAGRAM/ HYDRAULIC CIRCUIT

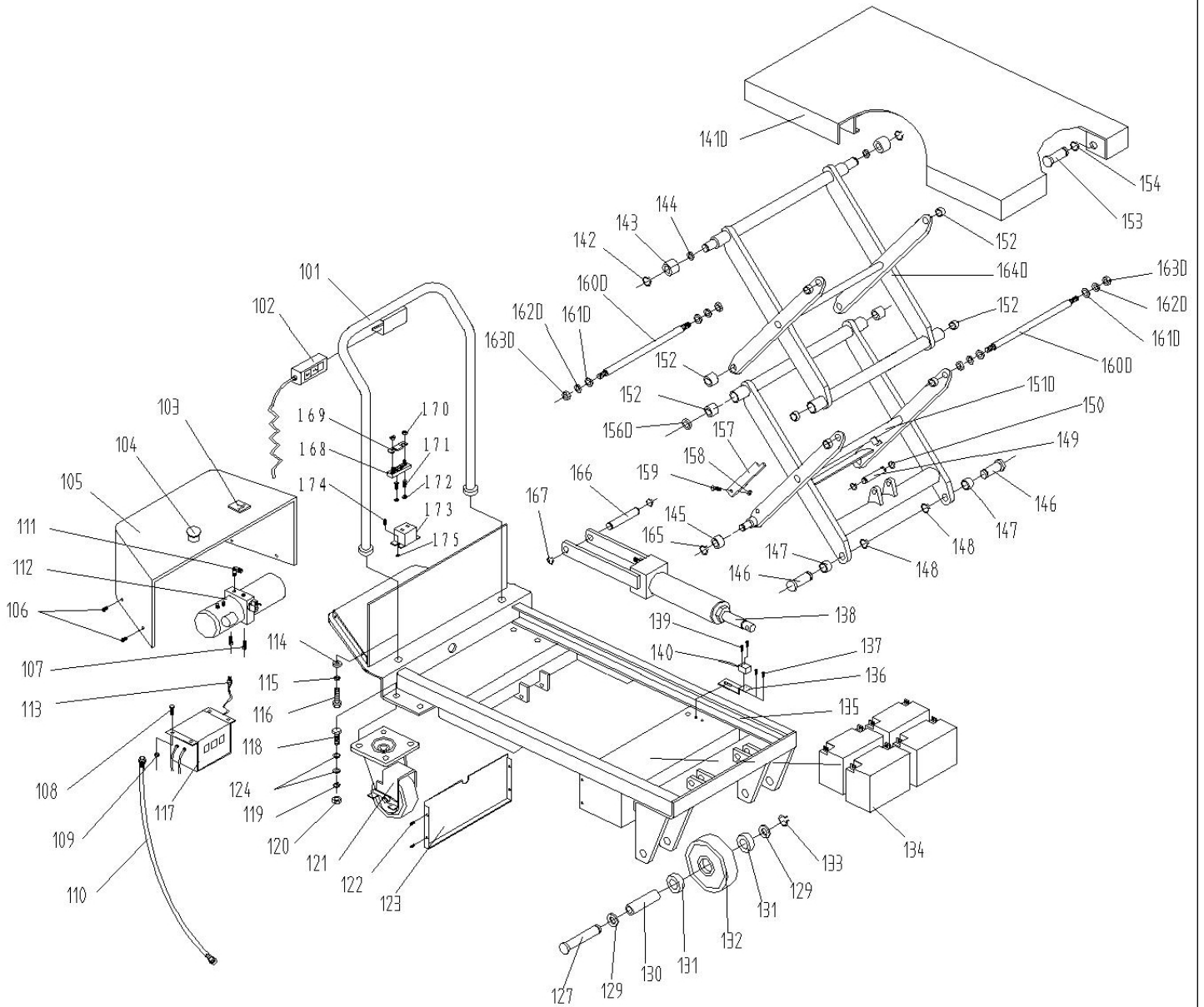


HYDRAULIC CIRCUIT



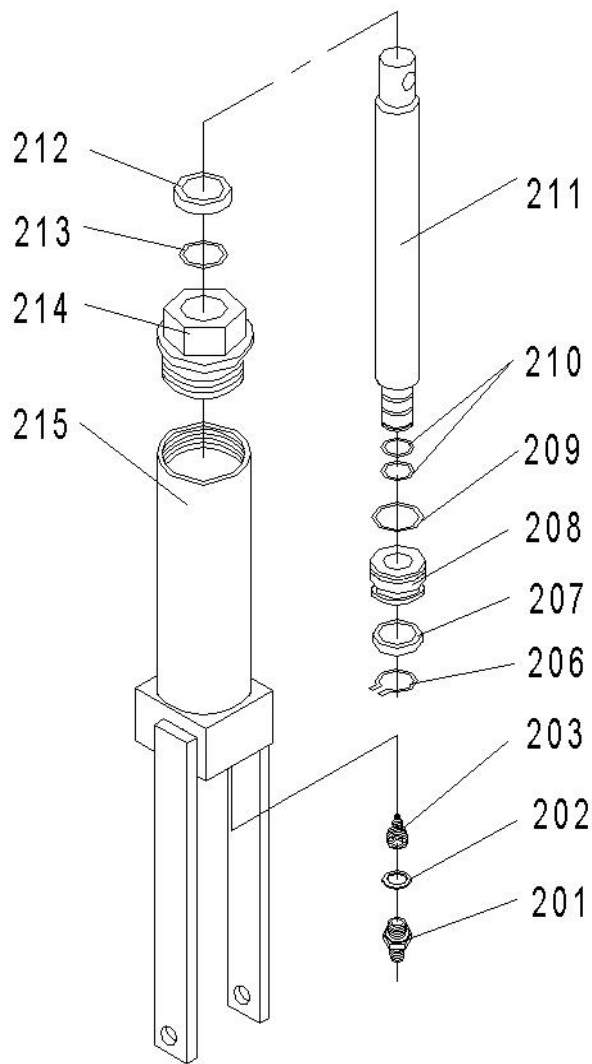
# 11.PARTS LIST

EELT770N



## Part List of forks

No	Mobile Part #	Description	Qty.	No	Mobile Part #	Description	Qty.
101	EELT770N-101	Handle Grip	1	140	EELT770N-140	Proximity Switch	1
102	EELT770N-102	Control switch	1	141D	EELT770N-141D	Table	1
103	EELT770N-103	Voltage indicator	1	142	EELT770N-142	Retaining Ring	2
104	EELT770N-104	Switch	1	143	EELT770N-143	Roller	2
105	EELT770N-105	Hood	1	144	EELT770N-144	Washer	2
106	EELT770N-106	Bolt	4	145	EELT770N-145	Roller	2
107	EELT770N-107	Bolt	2	146	EELT770N-146	Pin	2
108	EELT770N-108	Bolt	4	147	EELT770N-147	Bushing	2
109	EELT770N-109	Nut	4	148	EELT770N-148	Retaining Ring	2
110	EELT770N-110	Oil pipe	1	149	EELT770N-149	Pin	1
111	EELT770N-111	90° curve	1	150	EELT770N-150	Retaining Ring	2
112	EELT770N-112	Pump Unit	1	151D	EELT770N-151D	Fork Arm	1
113	EELT770N-113	Plug	1	152	EELT770N-152	Bushing	8
114	EELT770N-114	Washer	2	153	EELT770N-153	Pin	2
115	EELT770N-115	Elastic Washer	2	154	EELT770N-154	Retaining Ring	2
116	EELT770N-116	Bolt	2	156D	EELT770N-156D	Washer	4
117	EELT770N-117	Charger	1	157	EELT770N-157	Support Plank	2
118	EELT770N-118	Bolt	8	158	EELT770N-158	Nut	2
119	EELT770N-119	Elastic Washer	8	159	EELT770N-159	Screw	2
120	EELT770N-120	Nut	8	160D	EELT770N-160D	Long Shaft	2
121	EELT770N-121	Universal Wheel	2	161D	EELT770N-161D	Washer	4
122	EELT770N-122	Bolt	4	162D	EELT770N-162D	Washer	4
123	EELT770N-123	Cover	1	163D	EELT770N-163D	Nut	4
124	EELT770N-124	Washer	16	164D	EELT770N-164D	Top Fork Arm	1
127	EELT770N-127	Wheel Axle	2	165	EELT770N-165	Retaining Ring	2
129	EELT770N-129	Washer	4	166	EELT770N-166	Shaft	1
130	EELT770N-130	Reduction pipe	2	167	EELT770N-167	Retaining Ring	2
131	EELT770N-131	Bearing	4	168	EELT770N-168	Seat of fuse	1
132	EELT770N-132	Wheel	2	169	EELT770N-169	Fuse, CNL-60A	1
133	EELT770N-133	Retaining Ring	2	170	EELT770N-170	Nut M8	4
134	EELT770N-134	Battery	4	171	EELT770N-171	Bolt	2
135	EELT770N-135	Frame	1	172	EELT770N-172	Nut M5	2
136	EELT770N-136	Switch seat	1	173	EELT770N-173	Relay Module	1
137	EELT770N-137	Bolt	2	174	EELT770N-174	Bolt	2
138	EELT770N-138	Cylinder	1	175	EELT770N-175	Nut M4	2
139	EELT770N-139	Bolt	2				



138

No	Mobile Part #	Description	Quantity	No	Mobile Part #	Description	Quantity
201	EELT770N-201	Nipples	1	210	EELT770N-210	O - Ring	2
202	EELT770N-202	Seal Washer	1	211	EELT770N-211	Piston Rod	1
203	EELT770N-203	Safety Valve	1	212	EELT770N-212	Dust Ring	1
206	EELT770N-206	Retaining Ring	1	213	EELT770N-213	O - Ring	1
207	EELT770N-207	Y - Seal	1	214	EELT770N-214	Cylinder Cap	1
208	EELT770N-208	Piston	1	215	EELT770N-215	Cylinder	1
209	EELT770N-209	O - Ring	1				



**MOBILE INDUSTRIES, INC.**  
3750B Laird Rd - Unit 2 & 3  
Mississauga ON, L5L 0R6  
Canada

Toll Free: 1 800 527 4612 • Local 905 279 5370  
Email: [info@mobilept.com](mailto:info@mobilept.com)

**MOBILEPT.COM**