



## EFET33N

### FULL ELECTRIC PALLET TRUCK

FEATURES: • Full Electric Drive and Lift • Built-In Charger • Battery Discharge Indicator • Automatic Lift Cut-Off for higher battery lifetime • Suspension Castors for better performance with obstacles, stability, and less noise

The EFET33N is a full electric pallet truck designed as an economic alternative to more expensive fully electric models. These units feature powered operation for lifting and lowering loads, and self-propelled movement for easy transporting of goods. The compact and light design is suitable for a variety of light-duty applications in warehouses or similar environments. The EFET33N features a built-in charger for increased mobility and operating range, along with a battery discharge indicator that automatically cuts off the lift function when not in use.

3,300  lbs CAPACITY

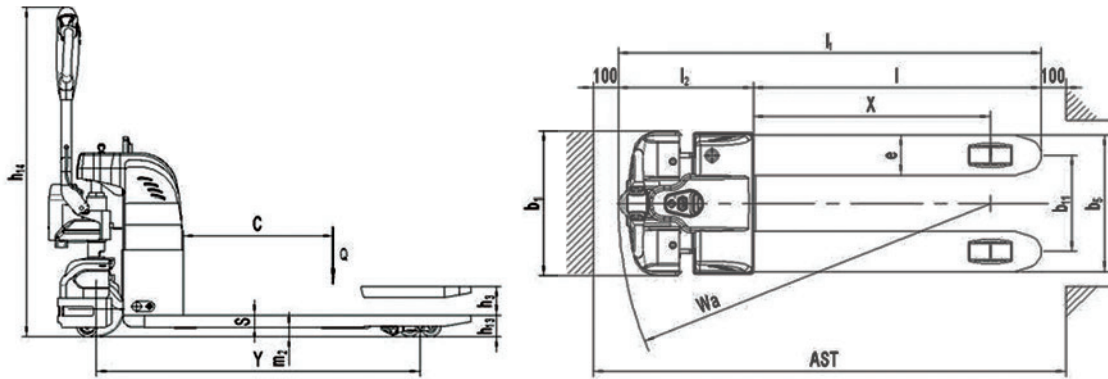
Fork Length: 48" (31.5" & 39.3" also available) • Overall Fork Width: 21.3"/27"  
Weight: 440 lbs • Lift Hgt: 7.6" • Lowered Hgt: 3.1" • Fork Width: 6.3" • Drive Wheel: 8.7" x 2.8" • Load Roller: 3.1" x 3.7" • Risle Width: 87.8" • Turning Radius: 61.2"  
• Travel Speed (laden/un-laden): 2.6 mph/2.9 mph • Lift Speed (laden/un-laden): 5.9 fpm/10.4 fpm • Max Gradient: 4/10% • Battery Voltage: 2 x 12V/64Ah

**3,300 lbs CAPACITY**

**EFET FULL ELECTRIC PALLET TRUCK**

Model		EFET33N
Capacity	lbs	3300
Weight	lbs	440
Load Center	(C) in	23.6
Wheelbase	(Y) in	53.9
Lowered Fork Height	(h13) in	3.1
Raised Fork Height	(h1) in	7.6
Steer Wheel	in	8.7 x 2.8
Fork Size	(e) in	6.3
Overall Fork Width	(b5) in	21.3 / 27
Fork Length	(l) in	48 (31.5" & 39.3" also available)
Load Roller	in	3.1 x 3.7
Turning Radius	(Wa) in	61.2
Aisle Width (for pallets: 32" x 48")	in	87.8
Travel Speed (Laden / Un-laden)	mph	2.6 / 2.9
Lift Speed (Laden / Un-laden)	fpm	5.9 / 10.4
Max. Gradeability (Laden / Un-laden)	%	4 / 10
Battery Voltage	V/Ah	2 x 12V + 2 x 12V / 64

\*Because of continual product improvements, specifications may be subject to change without notice



\*Container Order Available: 20ft Container = 18 pieces | 40ft Container = 38 pieces