



PARTS BREAKDOWN

ECO BATTERY STACKER

VERSION	AUGUST 2012
MODEL	EHS22FFN/ETHS22FFN FIXED FORK-OVER
APPLICABLE PRODUCTS	EHS22FFN, ETHS22FFN

TABLE OF CONTENTS

Fig.1	Portable Double Mast	2
Fig.2	Stationary Double Mast	4
Fig.3	Portable Single Mast	6
Fig.4	Stationary Single Mast	8
Fig.5	Big Wheel Assembly	10
Fig.6	Front Wheel Assembly	12
Fig.7	Inner Mast.....	13
Fig.8	Steering Operating System	15
Fig.9	Stationary Pallet Frame	17
Fig.10	Portable Pallet Frame	18
Fig.11	Hydraulic System.....	19
Fig.12	Distribution Box Components.....	21
Fig.13	Pump Station Components	23

Fig.1 Portable Double Mast

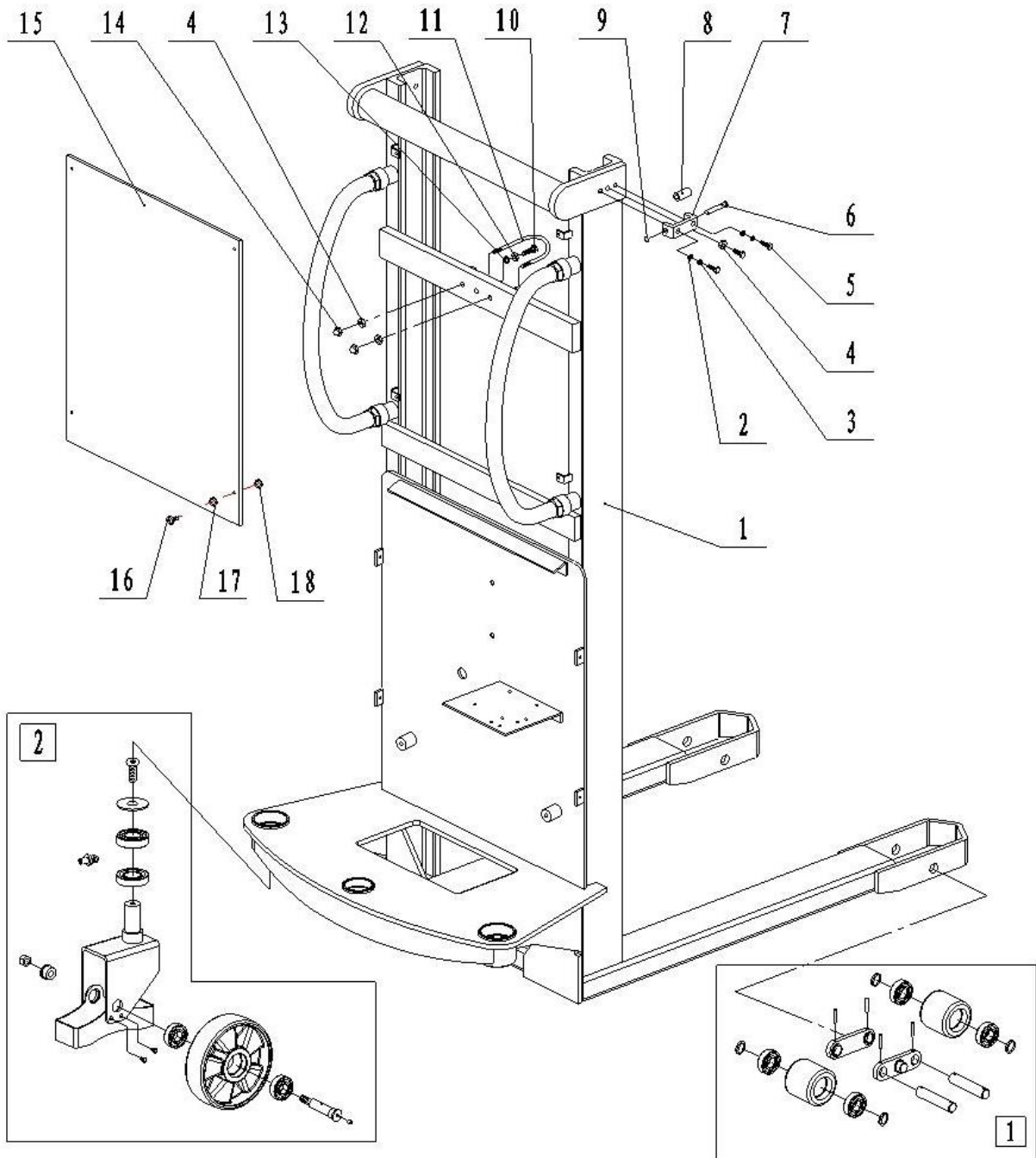


Fig.1 Parts List of Portable Double Mast

No.	Code number	Mobile Part #	Item	Quantity	Remarks
2	0000025005	EHS-PDM2	Flat washer 8	4	
3	0000025004	EHS-PDM3	Spring washer 8	4	
4	0000024086	EHS-PDM4	Hex nut M8	4	
5	0000023487	EHS-PDM5	Screw M8x35	6	
6	2500507003	EHS-PDM6	Hinge pin	2	
7	2530504007	EHS-PDM7	Wheel seat	2	
8	2500511002	EHS-PDM8	Guide wheel	2	
9	0000026034	EHS-PDM9	Circlip for shaft 12	2	
10	0000023495	EHS-PDM10	Bolt M10x40	1	
11	2530202001	EHS-PDM11	Cylinder hoop	1	
12	0000024091	EHS-PDM12	Hex nut M10	1	
13	0000025065	EHS-PDM13	Spring washer10	1	
14	0000024092	EHS-PDM14	Cap nut M8	2	
15	2530503006	EHS-PDM15-2500	Protection plate	1	2500
	2530503007	EHS-PDM15-3000			3000
	2530503008	EHS-PDM15-3350			3350
16	0000023488	EHS-PDM16	Screw M6x16	4	
17	0000025007	EHS-PDM17	Flat washer 6	4	
18	2210618001	EHS-PDM18	Rubber cushion	4	
①	2500500009	EHS-PDM19	Front wheel assembly	2	
②	2500500007	EHS-PDM20	Big wheel assembly	1	

Fig.2 Stationary Double Mast

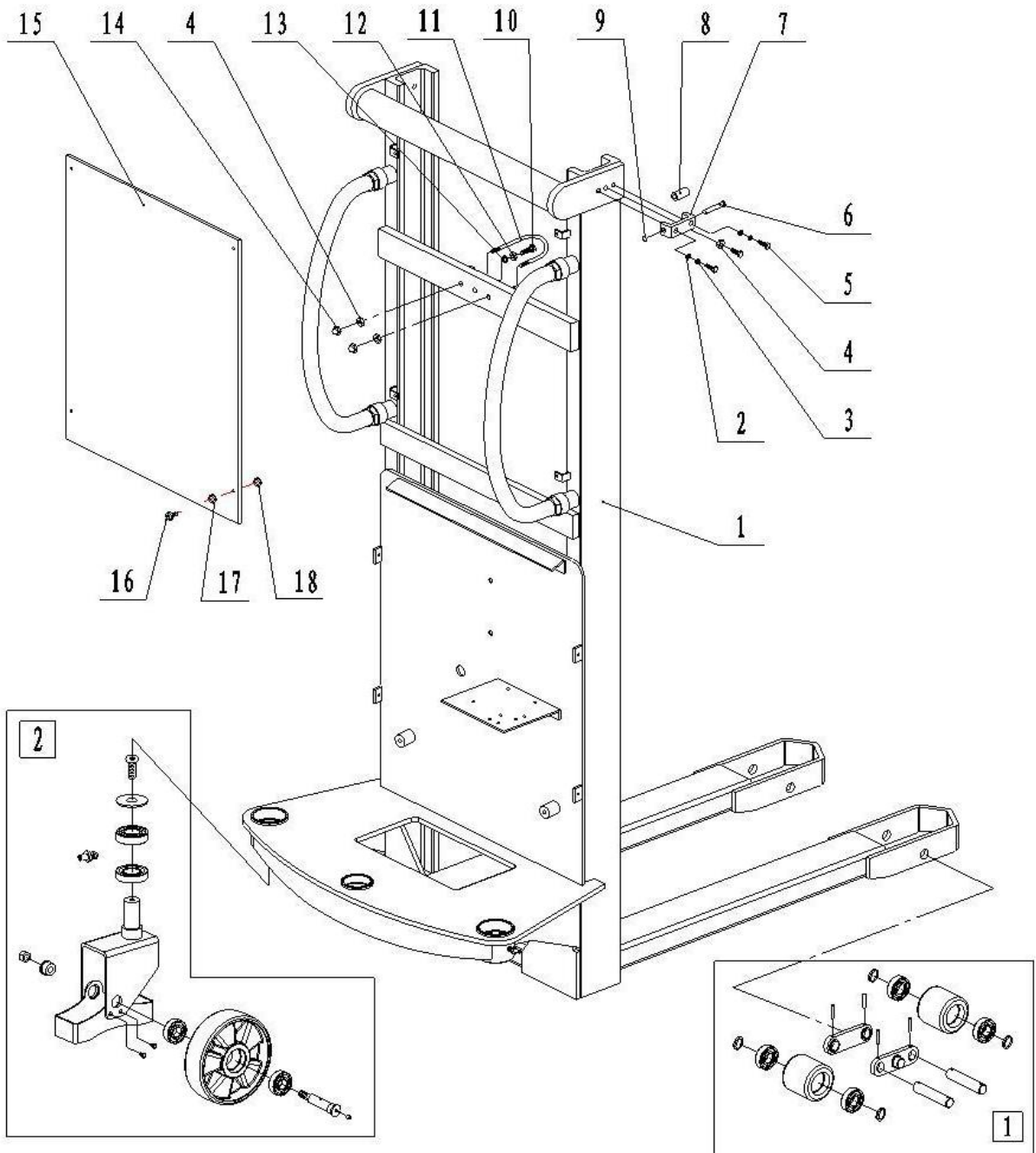


Fig.2 Parts List of Stationary Double Mast

No.	Code number	Mobile Part #	Item	Quantity	Remarks
2	0000025005	EHS-SDM2	Flat washer 8	4	
3	0000025004	EHS-SDM3	Spring washer 8	4	
4	0000024086	EHS-SDM4	Hex nut M8	4	
5	0000023487	EHS-SDM5	Screw M8x35	6	
6	2500507003	EHS-SDM6	Hinge pin	2	
7	2530504007	EHS-SDM7	Wheel seat	2	
8	2500511002	EHS-SDM8	Guide wheel	2	
9	0000026034	EHS-SDM9	Circlip for shaft 12	2	
10	0000023495	EHS-SDM10	Bolt M10x40	1	
11	2530202001	EHS-SDM11	Cylinder hoop	1	
12	0000024091	EHS-SDM12	Hex nut M10	1	
13	0000025065	EHS-SDM13	Spring washer 10	1	
14	0000024092	EHS-SDM14	Cap nut M8	2	
15	2530503003	EHS-SDM15-2500	Protection plate	1	2500
	2530503004	EHS-SDM15-3000			3000
	2530503005	EHS-SDM15-3350			3350
16	0000023488	EHS-SDM16	Screw M6x16	4	
17	0000025007	EHS-SDM17	Flat washer 6	4	
18	2210618001	EHS-SDM18	Rubber cushion	4	
☐	2500500009	EHS-SDM19	Front wheel assembly	2	
☑	2500500007	EHS-SDM20	Big wheel assembly	1	

Fig.3 Portable Single Mast

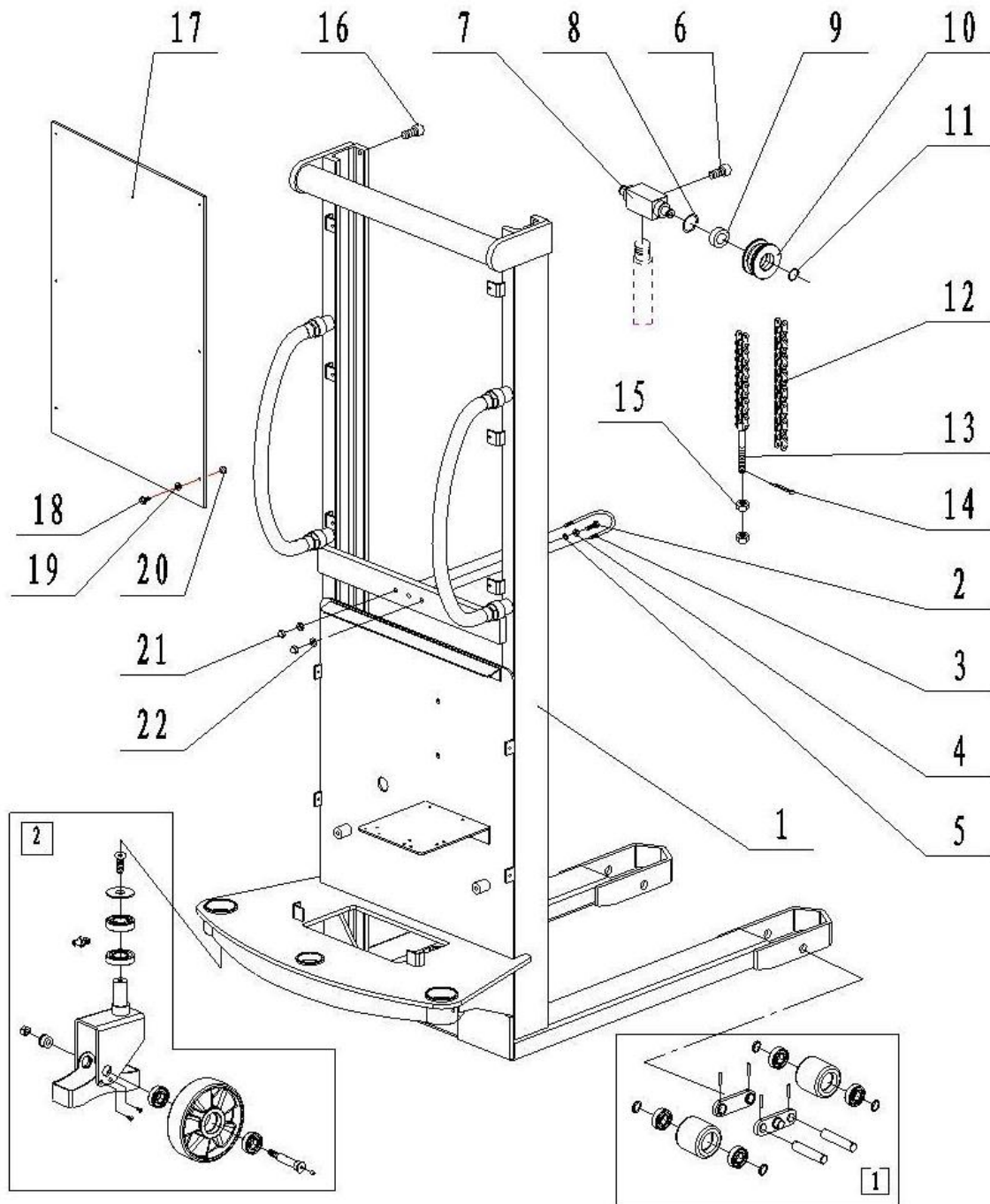


Fig.3 Parts List of Portable Single Mast

No.	Code number	Mobile Part #	Item	Quantity	Remarks
2	0000023495	EHS-PSM2	Bolt M10x40	1	
3	2530202001	EHS-PSM3	Cylinder hoop	1	
4	0000024091	EHS-PSM4	Hex nut M10	1	
5	0000025106	EHS-PSM5	Flat washer 10	1	
6	0000023013	EHS-PSM6	Screw M8x16	1	
7	2500502005	EHS-PSM7	Footstock	1	
8	0000026009	EHS-PSM8	Circlip for hole 47	2	
9	0000027107	EHS-PSM9	Bearing 62042Z	2	
10	2500502002	EHS-PSM10	Chain wheel	2	
11	0000026003	EHS-PSM11	Circlip for shaft 20	2	
12	0000029273	EHS-PSM12	Chain 12A-1 (69 joint)	2	
13	2500502007	EHS-PSM13	Chain rod	2	
14	0000028076	EHS-PSM14	Cotter pin 2x25	2	
15	0000024087	EHS-PSM15	Hex nut M14	4	
16	0000023513	EHS-PSM16	Screw M10x16	2	
17	2530503002	EHS-PSM17	Protection plate	1	
18	0000023488	EHS-PSM18	Screw M6x16	6	
19	0000025007	EHS-PSM19	Flat washer 6	6	
20	2210618001	EHS-PSM20	Rubber cushion	6	
21	0000024092	EHS-PSM21	Cap nut M8	2	
22	0000024086	EHS-PSM22	Hex nut M8	2	
㊦	2500500009	EHS-PSM23	Front wheel assembly	2	
㊧	2500500007	EHS-PSM24	Big wheel assembly	1	

Fig.4 Stationary Single Mast

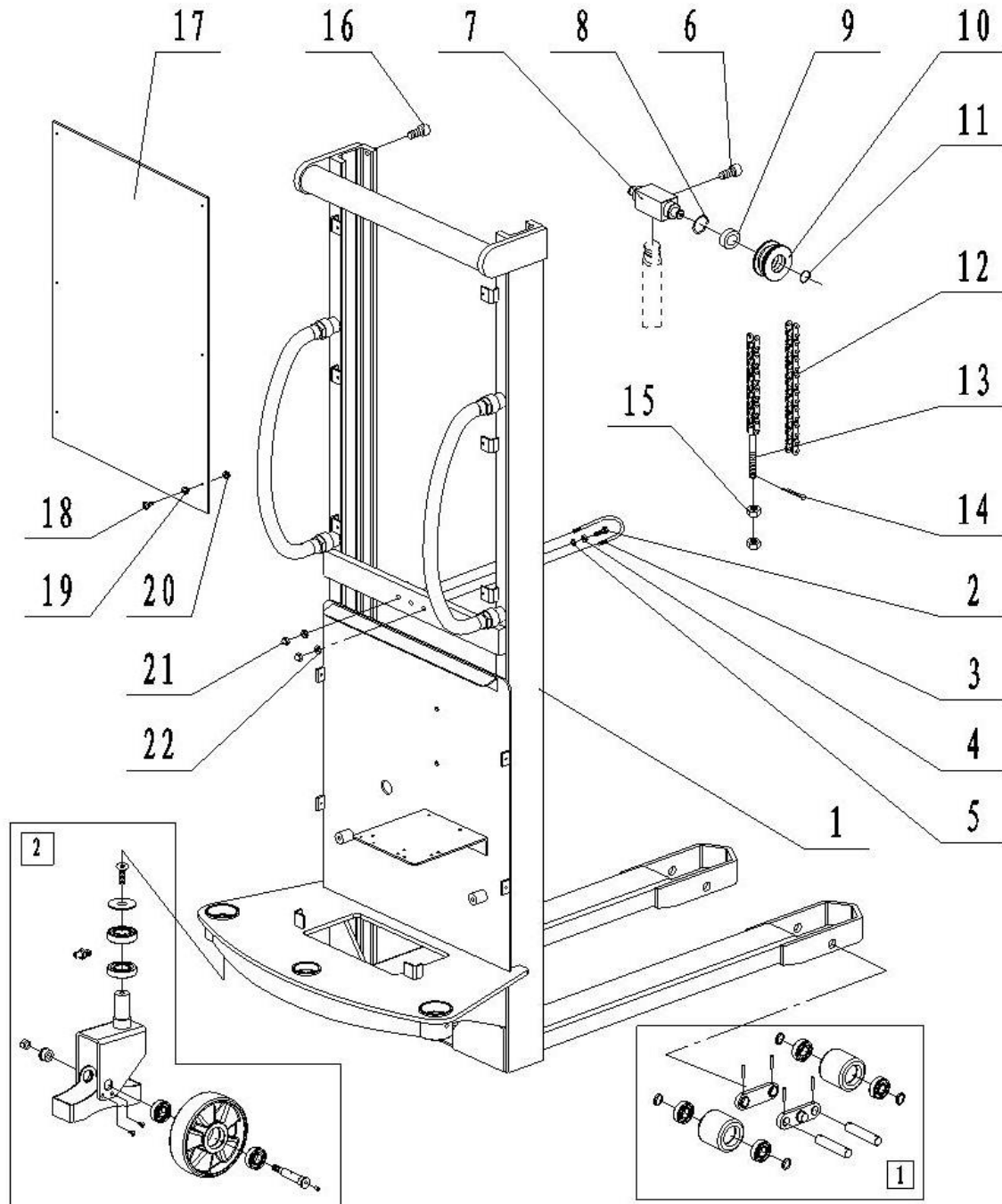


Fig.4 Parts List of Stationary Single Mast

No.	Code number	Mobile Part #	Item	Quantity	Remarks
2	0000023495	EHS-SSM2	Bolt M10x40	1	
3	2530202001	EHS-SSM3	Cylinder hoop	1	
4	0000024091	EHS-SSM4	Hex nut M10	1	
5	0000025106	EHS-SSM5	Flat washer10	1	
6	0000023013	EHS-SSM6	Screw M8x16	1	
7	2500502005	EHS-SSM7	Footstock	1	
8	0000026009	EHS-SSM8	Circlip for hole 47	2	
9	0000027107	EHS-SSM9	Bearing 62042Z	2	
10	2500502002	EHS-SSM10	Chain wheel	2	
11	0000026003	EHS-SSM11	Circlip for shaft 20	2	
12	0000029272	EHS-SSM12	Chain 12A-1 (67 joint)	2	
13	2500502007	EHS-SSM13	Chain rod	2	
14	0000028076	EHS-SSM14	Cotter pin 2x25	2	
15	0000024087	EHS-SSM15	Hex nut M14	4	
16	0000023513	EHS-SSM16	Screw M10x16	2	
17	2530503001	EHS-SSM17	Protection plate	1	
18	0000023488	EHS-SSM18	Screw M6x16	6	
19	0000025007	EHS-SSM19	Flat washer 6	6	
20	2210618001	EHS-SSM20	Rubber cushion	6	
21	0000024092	EHS-SSM21	Cap nut M8	2	
22	0000024086	EHS-SSM22	Hex nut M8	2	
㊦	2500500009	EHS-SSM23	Front wheel assembly	2	
㊧	2500500007	EHS-SSM23	Big wheel assembly	1	

Fig.5 Big Wheel Assembly

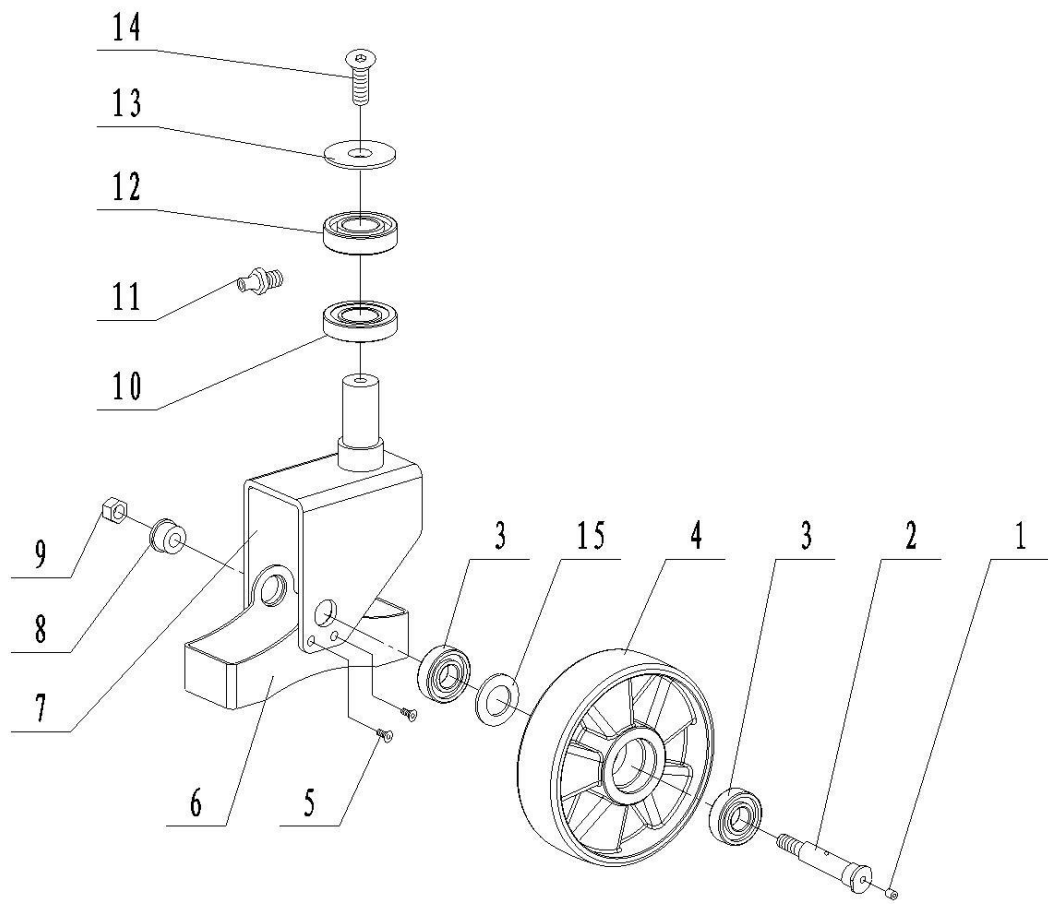


Fig.5 Parts List of Big Wheel Assembly

No.	Code number	Mobile Part #	Item	Quantity	Remarks
1	1010530001	EHS-BWA1	Angled grease cup 6	1	
2	2500507001	EHS-BWA2	Big wheel shaft	1	
3	0000027107	EHS-BWA3	Bearing 62042Z	2	
4	2500516001	EHS-BWA4	Big wheel ϕ 180x50	1	White
5	0000023484	EHS-BWA5	Sunk screw M6x10	4	
6	2500504002	EHS-BWA6	Safety damper	1	
7	2500501012	EHS-BWA7	Driven wheel frame	1	
8	2500525002	EHS-BWA8	Washer	1	
9	0000024085	EHS-BWA9	Lock nut M12	1	
10	0000027066	EHS-BWA10	Roller bearing 30206	1	
11	0000030026	EHS-BWA11	Greasing cup M8x1	1	
12	0000027012	EHS-BWA12	Bearing 6206	1	
13	2500502006	EHS-BWA13	Gland	1	
14	0000023867	EHS-BWA14	Sunk screw M10x20	1	
15	2500502010	EHS-BWA15	Washer	1	

Fig.6 Front Wheel Assembly

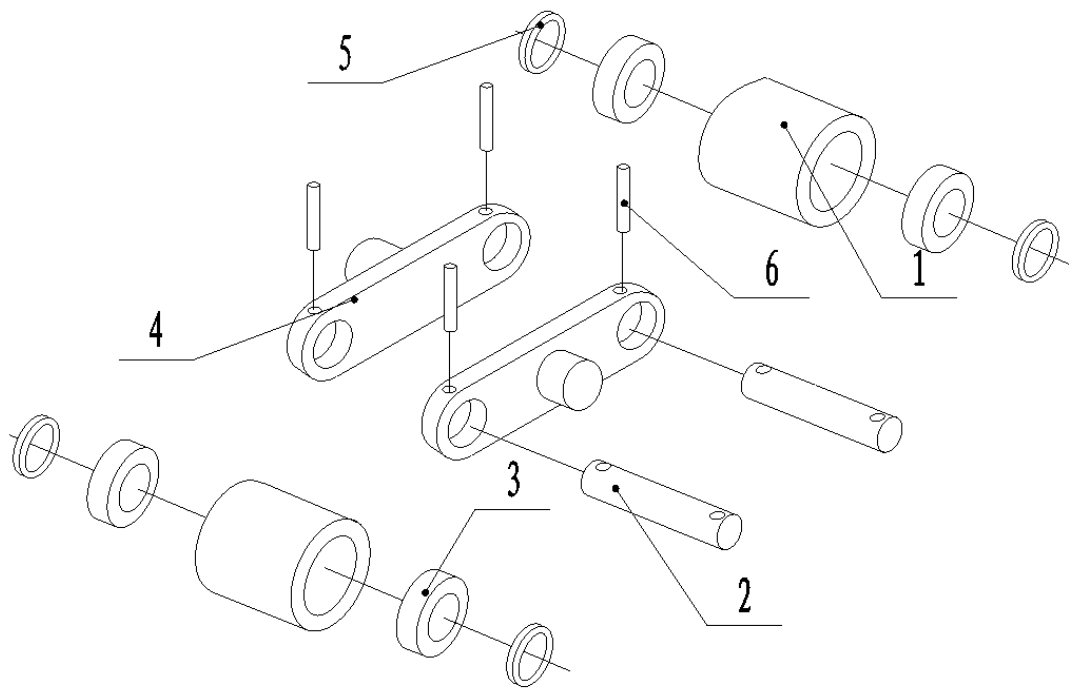


Fig.6 Parts List of Front Wheel Assembly

No.	Code number	Mobile Part #	Item	Quantity	Remarks
1	2520500003	EHS-FWA1	PU Pinion ϕ 74X70	2	Red
2	2000407001	EHS-FWA2	Pinion shaft	2	
3	0000027107	EHS-FWA3	Bearing 62042Z	4	
4	2000405002	EHS-FWA4	Linking board	2	
5	1000525001	EHS-FWA5	Spacer	Quantity, specification optional	
6	0000028009	EHS-FWA6	Elastic cylindrical pin 5x35	4	

Fig.7 Inner Mast

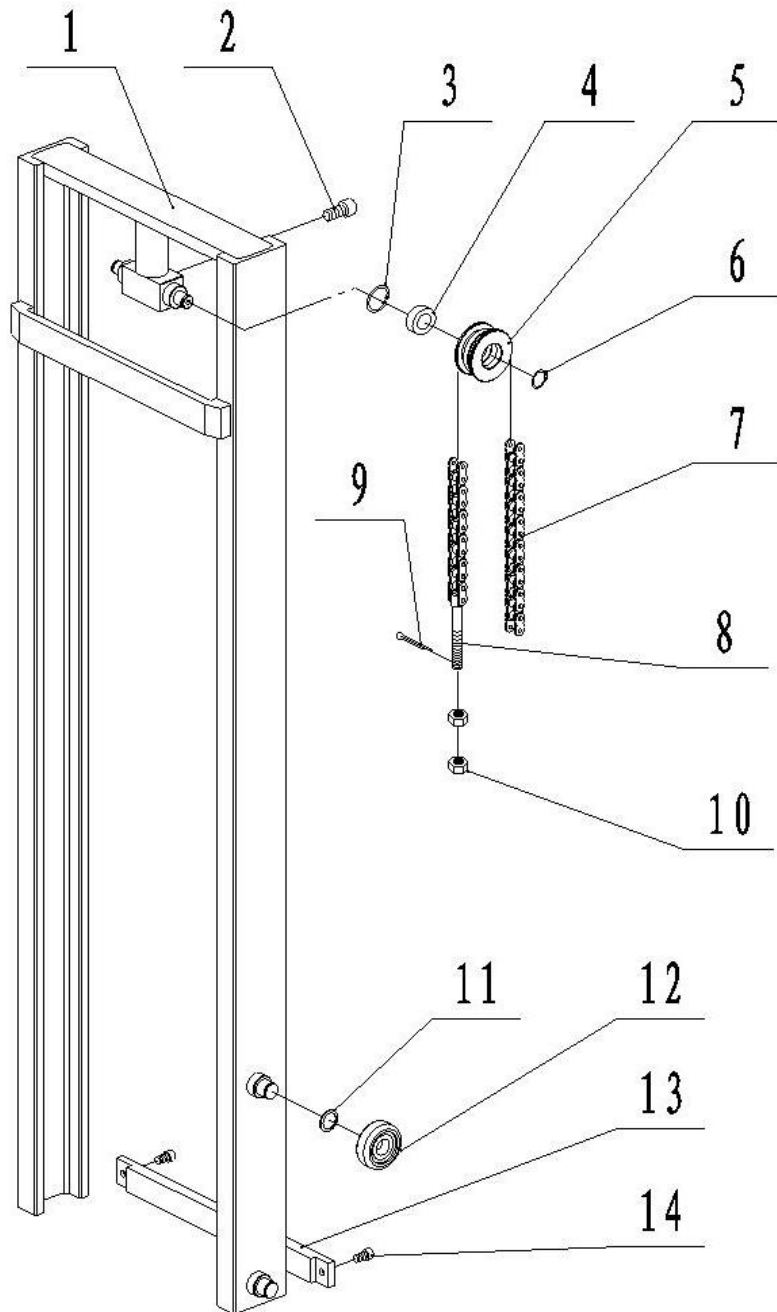


Fig.7 Parts List of Inner Mast

No.	Code number	Mobile Part #	Item	Qty	Remarks
2	0000023013	EHS-IM2	Screw M8x16	1	
3	0000026009	EHS-IM3	Circlip for hole 47	2	
4	0000027107	EHS-IM4	Bearing 62042Z	2	
5	2500502002	EHS-IM5	Chain wheel	2	
6	0000026003	EHS-IM6	Circlip for shaft 20	2	
7	0000029267	EHS-IM7-2500S	Chain 12A-1 (91 joint)	2	2500 Stationary
	0000029268	EHS-IM7-2500P	Chain 12A-1 (95 joint)		2500 Portable
	0000029266	EHS-IM7-3000S	Chain 12A-1 (105 joint)		3000 Stationary
	0000029269	EHS-IM7-3000P	Chain 12A-1 (109 joint)		3000 Portable
	0000029270	EHS-IM7-3350S	Chain 12A-1 (115 joint)		3350 Stationary
	0000029271	EHS-IM7-3350P	Chain 12A-1 (119 joint)		3350 Portable
8	2500502007	EHS-IM8	Chain rod	2	
9	0000028076	EHS-IM9	Cotter pin 2x25	2	
10	0000024087	EHS-IM10	Hex nut M14	4	
11	2530402001	EHS-IM11	Adjusting cushion	4	
12	2530402002	EHS-IM12	Roller	4	
13	2530504005	EHS-IM13S	Pull rod	1	Stationary
	2530504006	EHS-IM13P			Portable
14	0000023483	EHS-IM14	Screw M10X20	2	

Fig.8 Steering Operating System

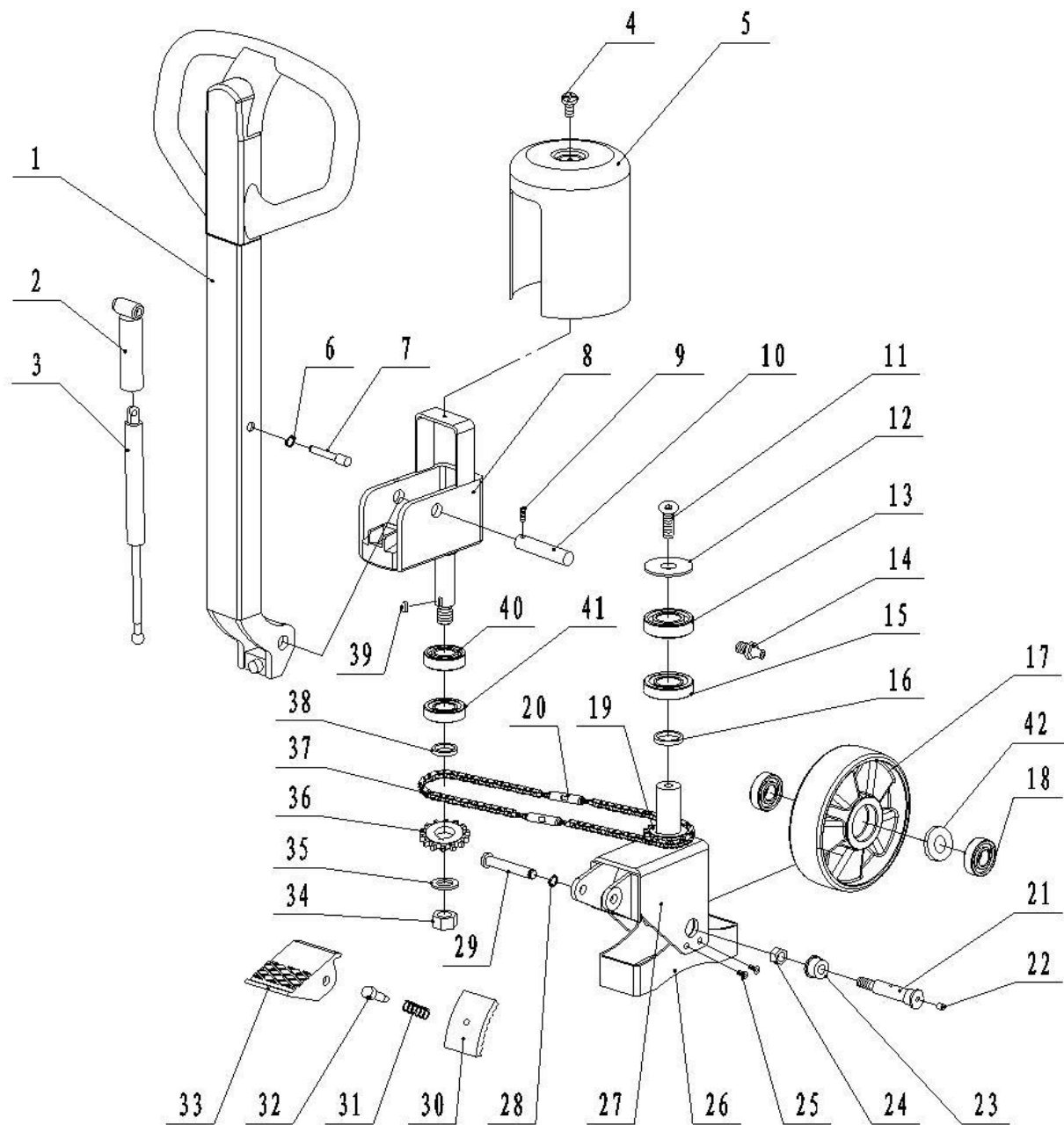


Fig.8 Parts List of Steering Operating System

No.	Code number	Mobile Part #	Item	Quantity	Remarks
1	2530100002	EHS-SOS1	Handle	1	
2	2530102001	EHS-SOS2	Air spring seat	1	
3	2530121001	EHS-SOS3	Air spring(handle)	1	
4	0000023280	EHS-SOS4	Screw M5X10	1	
5	2530103001	EHS-SOS5	Handgrip rotating seat cover	1	
6	0000026051	EHS-SOS6	Circlip 8	1	
7	2530107002	EHS-SOS7	Air spring shaft	1	
8	2530101001	EHS-SOS8	Handle connection seat	1	
9	0000023511	EHS-SOS9	Set screw M5x12	1	
10	2530107001	EHS-SOS10	Handle lever	1	
11	0000023867	EHS-SOS11	Sunk screw M10x20	1	
12	2500502006	EHS-SOS12	Gland	1	
13	0000027012	EHS-SOS13	Bearing 6206	1	
14	0000030026	EHS-SOS14	Greasing cup M8x1	1	
15	0000027066	EHS-SOS15	Roller bearing 30206	1	
16	2500125002	EHS-SOS16	Washer	1	
17	2500516001	EHS-SOS17	Big wheelφ180x50	1	
18	0000027107	EHS-SOS18	Bearing 62042Z	2	
19	2500109002	EHS-SOS19	Steering chain wheel	1	
20	2500100003	EHS-SOS20	Tension screw	2	
21	2500507001	EHS-SOS21	Big wheel shaft	1	
22	1010530001	EHS-SOS22	Angled grease cup 6	1	
23	2500525002	EHS-SOS23	Washer	1	
24	0000024085	EHS-SOS24	Lock nut M12	1	
25	0000023484	EHS-SOS25	Sunk screw M6x10	4	
26	2500504002	EHS-SOS26	Safety damper	1	
27	2500501011	EHS-SOS27	Braking wheel frame	1	
28	0000026034	EHS-SOS28	Circlip for shaft 12	1	
29	2500507002	EHS-SOS29	Hinge pin	1	
30	2500505001	EHS-SOS30	Brake block	1	
31	2500531001	EHS-SOS31	Spring	1	
32	2500523002	EHS-SOS32	Push rod screw	1	
33	2500505002	EHS-SOS33	Cam foot pedal	1	
34	0000024095	EHS-SOS34	Lock nut M18x1.5	1	
35	0000025104	EHS-SOS35	Flat washer 18	1	
36	2500109001	EHS-SOS36	Steering chain wheel	1	
37	0000029274	EHS-SOS37	Roller drive chain (08B)	2	
38	2500125001	EHS-SOS38	Washer	1	
39	0000036010	EHS-SOS39	Flat pin C6X6	2	
40	0000027011	EHS-SOS40	Bearing 6205	1	
41	0000027069	EHS-SOS41	Roller bearing 30205	1	
42	2500502010	EHS-SOS42	Washer	1	

Fig.9 Stationary Pallet Frame

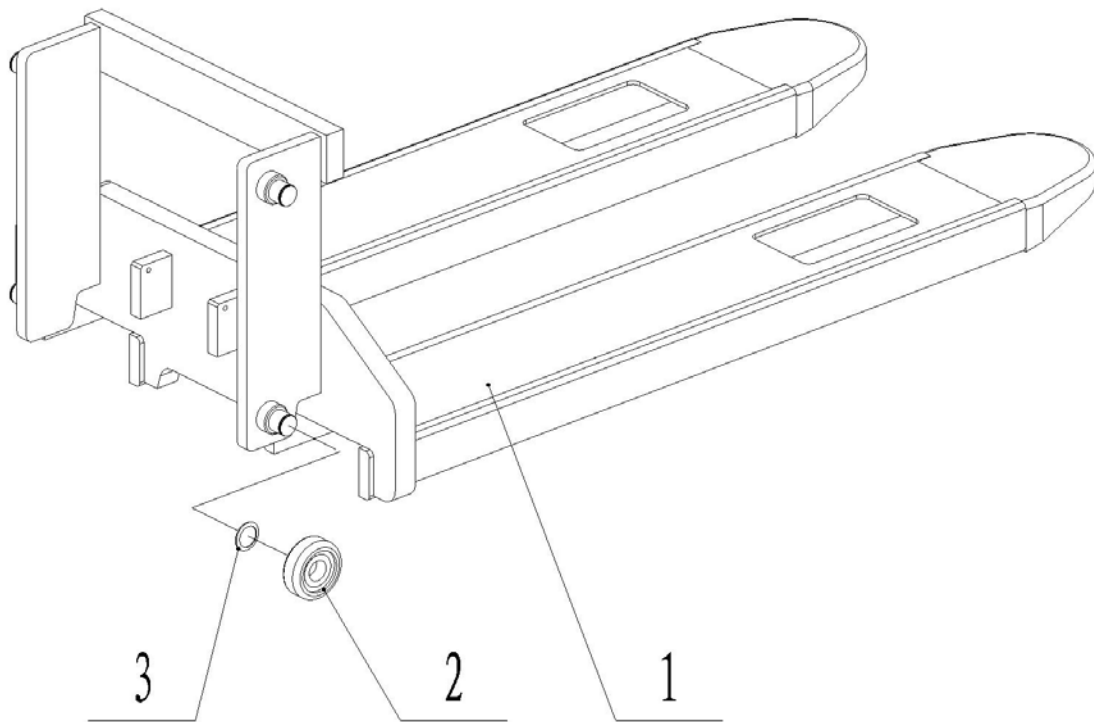


Fig.9 Parts List of Stationary Pallet Frame

No.	Code number	Mobile Part #	Item	Quantity	Remarks
2	2530402002	EHS-SPF2	Roller	4	
3	2530402001	EHS-SPF3	Adjusting cushion	4	

Fig.10 Portable Pallet Frame

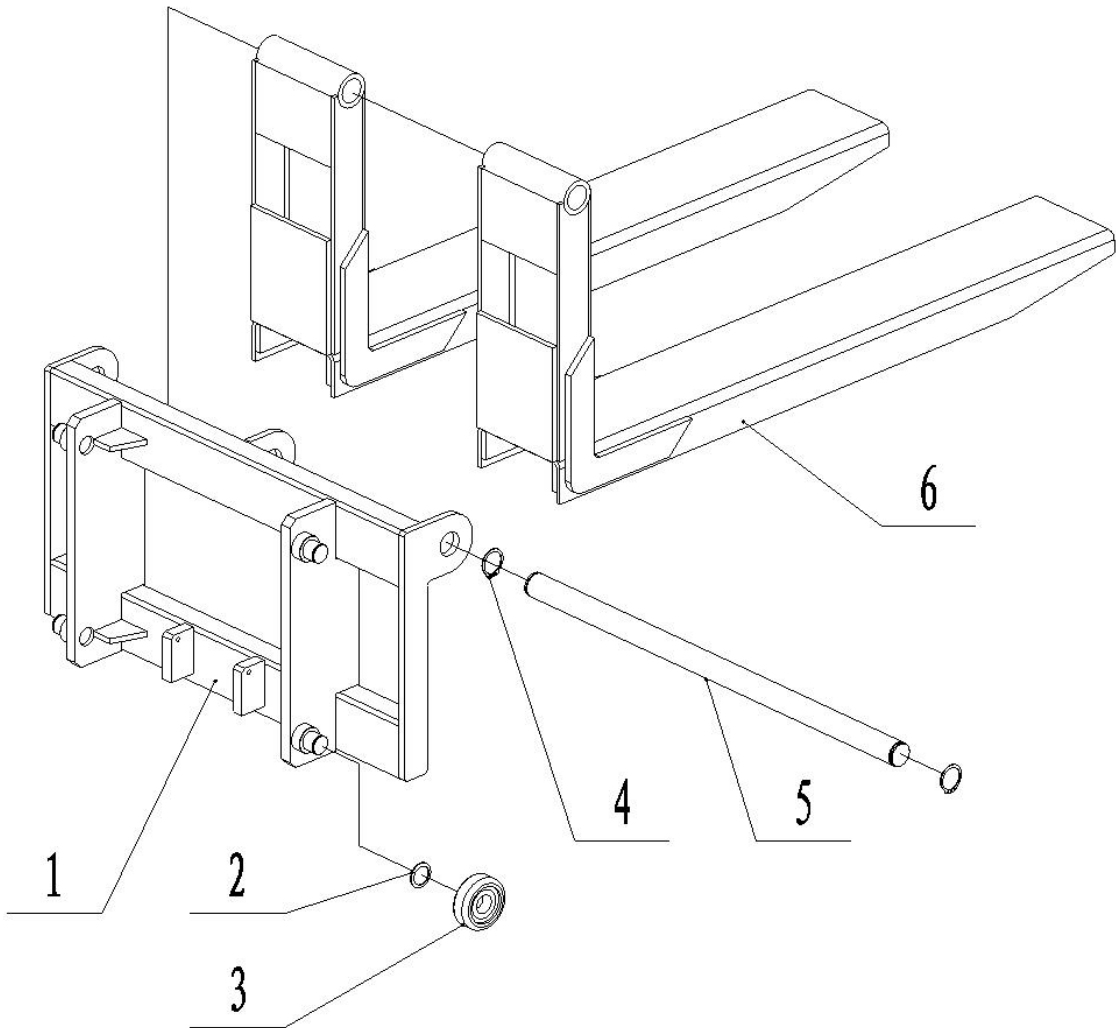


Fig.10 Parts List of Portable Pallet Frame

No.	Code number	Mobile Part #	Item	Quantity	Remarks
1	2530401003	EHS-PPF1-D	Pallet frame	1	For double mast
	2530401006	EHS-PPF1-S	Pallet frame		For single mast
2	2530402001	EHS-PPF2	Adjusting cushion	4	
3	2530402002	EHS-PPF3	Roller	4	
4	0000026042	EHS-PPF4	Circlip for shaft 32	2	
5	2500407001	EHS-PPF5	Long shaft	1	
6	2500401001	EHS-PPF6-900D	Fork	2	900 for double mast
	2500401013	EHS-PPF6-1100D			1100
	2500401014	EHS-PPF6-1150D			1150
	2510101002	EHS-PPF6-900S	Fork	2	900 for single mast
	2500401015	EHS-PPF6-1100S			1100

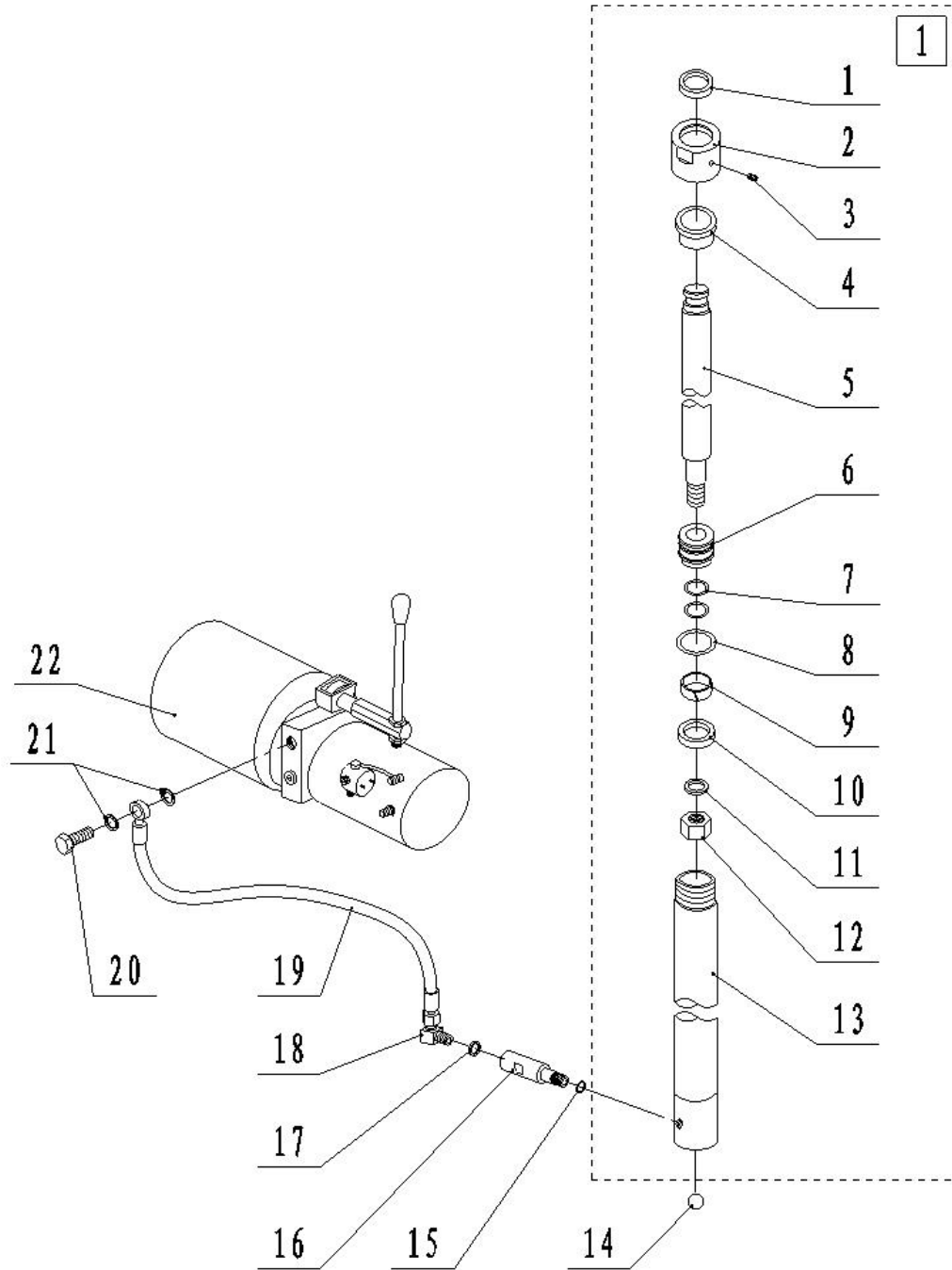
Fig.11 Hydraulic System

Fig.11 Parts List of Hydraulic System

No.	Code number	Mobile Part #	Item	Quantity	Remarks
1	0000022114	EHS-HS1	Dust ring 40X48-5/6.5	1	
2	2520202001	EHS-HS2	Shielding cover	1	
3	0000023502	EHS-HS3	Set screw M6X6	1	
4	1050302003	EHS-HS4	Bushing	1	
5	2520207001	EHS-HS5-1600	Piston rod	1	1600
	2520207002	EHS-HS5-2500			2500
	2520207003	EHS-HS5-3000			3000
	2520207006	EHS-HS5-3350			3350
6	2520202002	EHS-HS6	Piston Φ 50	1	
7	0000022115	EHS-HS7	O-ring 32x2.4	2	
8	0000022029	EHS-HS8	O-ring 50x3.1	1	
9	2520202003	EHS-HS9	Support ring for hole 50X15X2.5	1	
10	0000022116	EHS-HS10	Y-type sealing ring for shaft 50X40X6	1	
11	0000025094	EHS-HS11	Spring washer 24	1	
12	0000024072	EHS-HS12	Hex nut M24X1.5	1	
13	2520208001	EHS-HS13-1600	Cylinder	1	1600
	2520208002	EHS-HS13-2500			2500
	2520208003	EHS-HS13-3000			3000
	2520208006	EHS-HS13-3350			3350
14	0000037028	EHS-HS14	Steel ball 18	1	
15	0000022118	EHS-HS15	O-ring 18x2.4	1	
16	2520200004	EHS-HS16	Speed control valve	1	
17	0000022051	EHS-HS17	Washer assembly 16	1	
18	2520202007	EHS-HS18	Bend (1)	1	
19	2530217001	EHS-HS19	High pressure oil pipe	1	
20	2530217002	EHS-HS20	Oil pipe bolt	1	
21	0000022051	EHS-HS21	Washer assembly 16	2	
22	2530200002	EHS-HS22	Pump station 12V-1.6kw-2.1CC	1	
1	2520200012	EHS-HS23-2500	Cylinder assembly	1	2500
	2520200005	EHS-HS23-3000			3000
	2520200006	EHS-HS23-1600			1600
	2520200008	EHS-HS23-3350			3350

Fig.12 Distribution Box Components

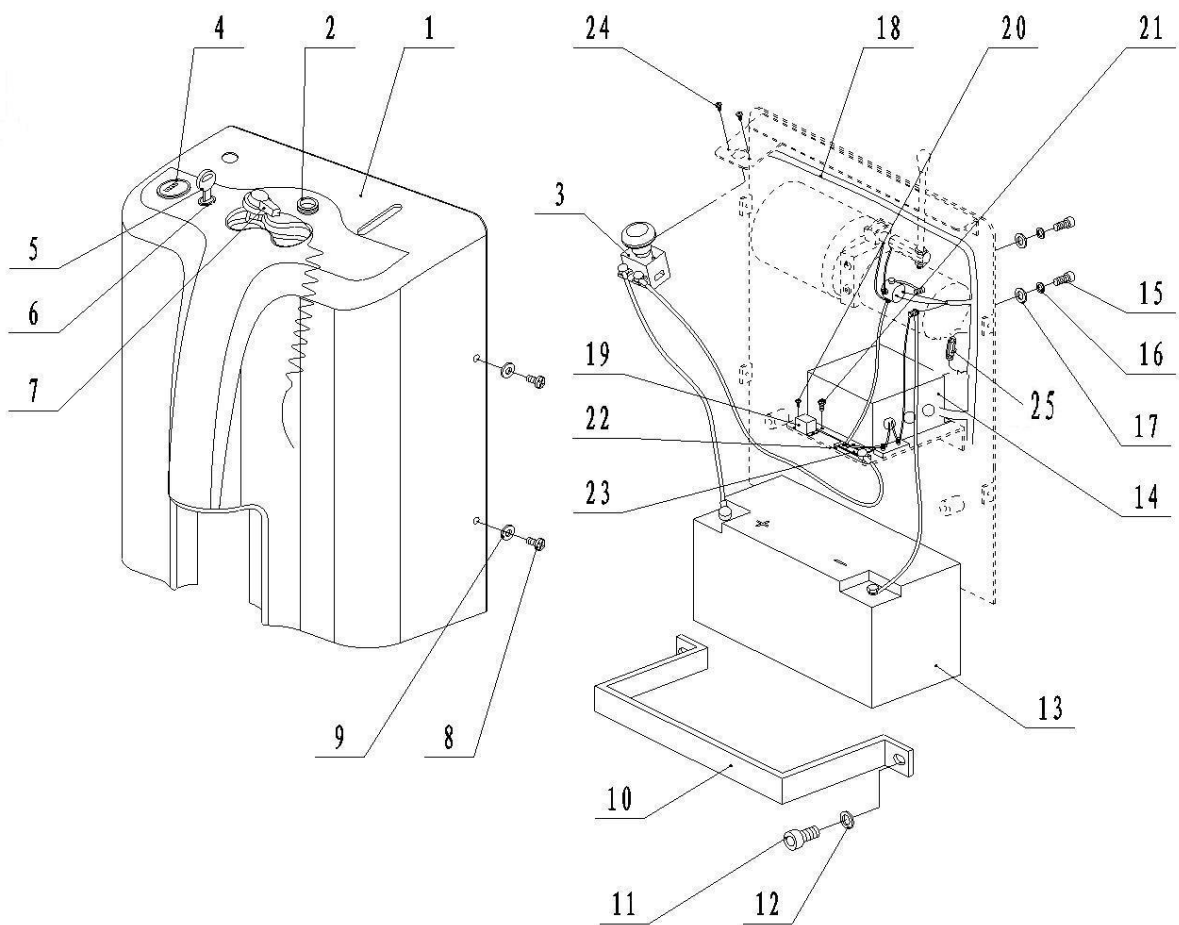


Fig.12 Distribution Box Components

No.	Code number	Mobile Part #	Item	Quantity	Remarks
1	2530303002	EHS-DBC1	Electrical box	1	
2	2210418003	EHS-DBC2	Sheath	1	
3	2240434001	EHS-DBC3	DC power switch ZDK31-250	1	
4	2530334003	EHS-DBC4	Coulometer 12V BI1201A(B)	1	
5	1010434015	EHS-DBC5	Key	1	
6	2530334002	EHS-DBC6	Key switch LKS-101A	1	
7	1010434012	EHS-DBC7-EU	Double-end spring plug 3x0.75 (European)	1	
	2530334005	EHS-DBC7-A	Double-end spring plug 3x0.75 (American)		
8	0000023512	EHS-DBC8	Screw M6x10	4	
9	0000025007	EHS-DBC9	Flat washer 6	4	
10	2530304001	EHS-DBC10	Battery pressure plate	1	
11	0000023013	EHS-DBC11	Screw M8x16	2	
12	0000025004	EHS-DBC12	Spring washer 8	2	
13	2530332001	EHS-DBC13	Battery 12V150AH	1	
14	2530320001	EHS-DBC14-230V	Charger 12V/20A QQE240-5CH20-26-A	1	230V
	2530320002	EHS-DBC14-115V			115V
15	0000023483	EHS-DBC15	Screw M10x20	2	
16	0000025065	EHS-DBC16	Spring washer 10	2	
17	0000025106	EHS-DBC17	Flat washer 10	2	
18	2530333001	EHS-DBC18	SPM harness	1	
19	2530334004	EHS-DBC19	Protection module BD-V-12	1	
20	0000023052	EHS-DBC20	Screw M4x8	2	
21	0000023512	EHS-DBC21	Screw M6x10	4	
22	1000434007	EHS-DBC22	Fuse seat SYY	1	
23	1020434001	EHS-DBC23	Bolted fuse 200A	1	
24	0000023126	EHS-DBC24	Screw M5x12	2	
25	2500334006	EHS-DBC25	Fuse tube 6x30 6A	1	

Fig.13 Pump Station Components

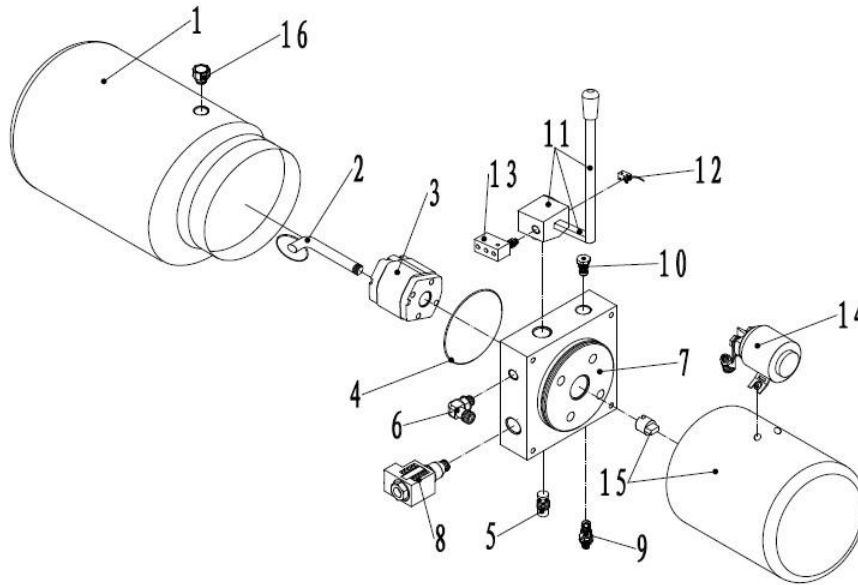


Fig.13 Pump Station Components

No.	Code number	Mobile Part #	Item	Specification	Quantity	Remarks
1	2500237006	EHS-PSC1	Oil tank	TS120D300	1	
2	2500217001	EHS-PSC2	Oil suction pipe	FB03B	1	With trainer
3	2500237001	EHS-PSC3	Gear pump	CBK-F120	1	with bolt
4	2500222001	EHS-PSC4	O-ring	112*4	1	
5	2500215001	EHS-PSC5	Flow control valve	RPCV-02	1	
6	2500237002	EHS-PSC6	Joint	FVC06	1	
7	2530237011	EHS-PSC7	Center valve block	CMB2	1	
8	2530337012	EHS-PSC8	Solenoid valve	SCV-012E	1	
9	2500235002	EHS-PSC9	Overflow valve	RV-03	1	
10	2500235003	EHS-PSC10	Check valve	CV-O1	1	
11	900002213	EHS-PSC11	Hand valve	MV-03	1	
12	2500214001	EHS-PSC12	Upper micro switch	UMS	1	
13	2500214002	EHS-PSC13	Under micro switch	DMS	1	
14	2500214003	EHS-PSC14	Starting switch	DK0212	1	

15	2500237004	EHS-PSC15	Motor	MD12160	1	
16	2500237005	EHS-PSC16	Oil tank cover	FC04	1	
17	2530337014	EHS-PSC17	Carbon brush		1	



MOBILE INDUSTRIES, INC.
3750B Laird Rd - Unit 2 & 3
Mississauga ON, L5L 0R6
Canada

Toll Free: 1 800 527 4612 • Local 905 279 5370
Email: info@mobilept.com

MOBILEPT.COM