



PARTS BREAKDOWN

ECO BATTERY STACKER

VERSION	AUGUST 2012
MODEL	EHS22N/ETHS22N ADJUSTABLE FORKS
APPLICABLE PRODUCTS	EHS22N, ETHS22N

TABLE OF CONTENTS

Fig.1	Portable Double Mast	2
Fig.2	Portable Single Mast	4
Fig.3	Big Wheel Assembly	6
Fig.4	Inner Mast	7
Fig.5	Steering Operating System	9
Fig.6	Portable Pallet Frame	12
Fig.7	Hydraulic System	13
Fig.8	Distribution Box Components	15
Fig.9	Pump Station Components	17

Fig.1 Double Mast

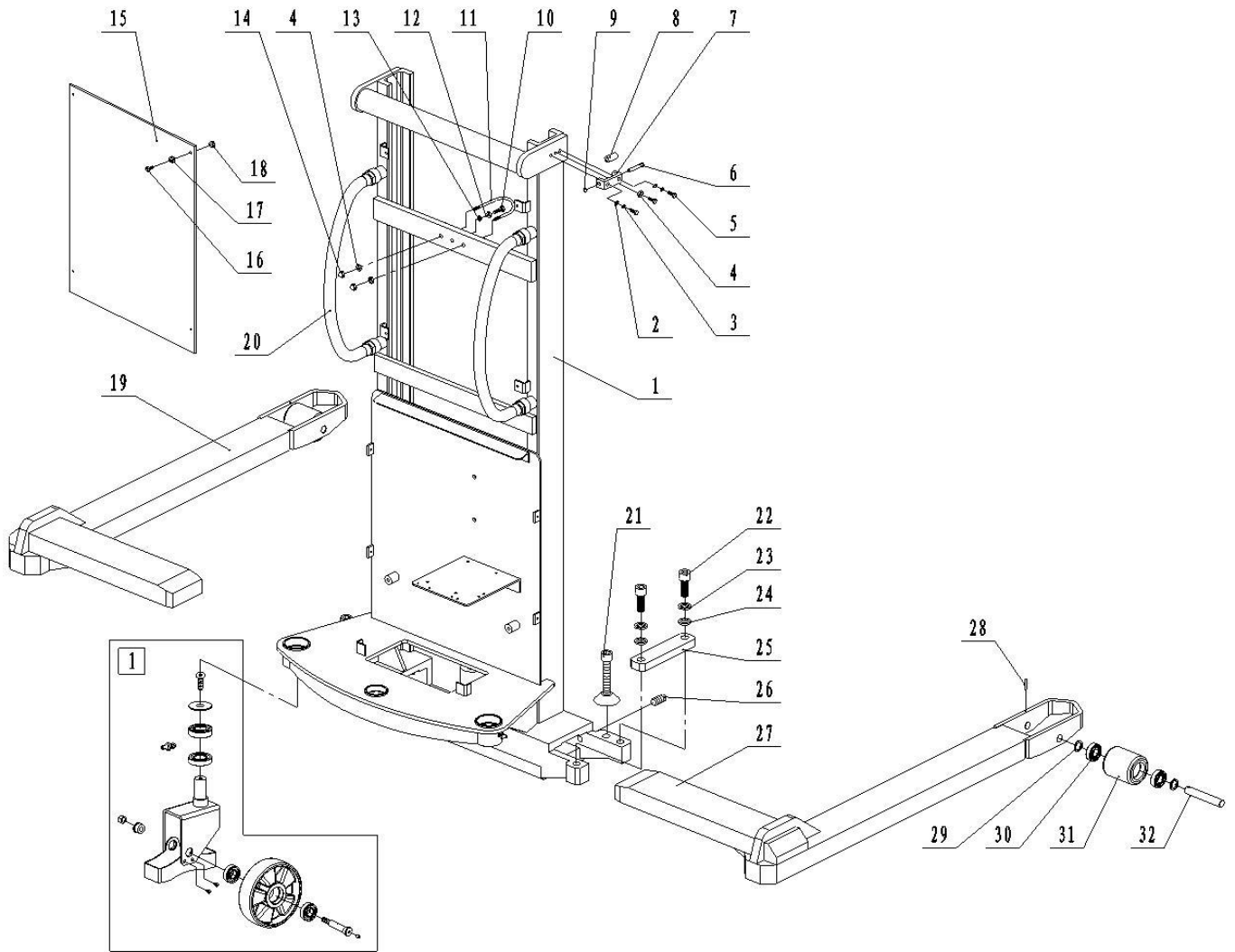


Fig.1 Parts List of Double Mast

No.	Code number	Mobile Part #	Item	Quantity	Remarks
2	0000025005	EHS2A-DM2	Flat washer 8	4	
3	0000025004	EHS2A-DM3	Spring washer 8	4	
4	0000024086	EHS2A-DM4	Hex nut M8	4	
5	0000023487	EHS2A-DM5	Screw M8x35	6	
6	2500507003	EHS2A-DM6	Hinge pin	2	
7	2530504007	EHS2A-DM7	Wheel seat	2	
8	2500511002	EHS2A-DM8	Guide wheel	2	
9	0000026034	EHS2A-DM9	Circlip for shaft 12	2	
10	0000023495	EHS2A-DM10	Bolt M10x40	1	
11	2530202001	EHS2A-DM11	Cylinder hoop	1	
12	0000024091	EHS2A-DM12	Hex nut M10	1	
13	0000025065	EHS2A-DM13	Spring washer 10	1	
14	0000024092	EHS2A-DM14	Cap nut M8	2	
15	2530503015	EHS2A-DM15-25	Protection plate	1	2500
	2530503016	EHS2A-DM15-30			3000
	2530503017	EHS2A-DM15-33			3300
16	0000023488	EHS2A-DM16	Screw M6x16	4	
17	0000025007	EHS2A-DM17	Flat washer 6	4	
18	2210618001	EHS2A-DM18	Rubber cushion	4	
19	2030401002	EHS2A-DM19	Foreleg welding kit	1	
20	2530500017	EHS2A-DM20	Handle	2	
21	2050402002	EHS2A-DM21	Supporting assembly	2	
22	0000023453	EHS2A-DM22	Screw M20x60	4	
23	0000025101	EHS2A-DM23	Heavy spring washer 20	4	
24	0000025031	EHS2A-DM24	Flat washer 20	4	
25	2030402001	EHS2A-DM25	Pressure plate	2	
26	0000023868	EHS2A-DM26	Set screw M16x20	4	
27	2030401003	EHS2A-DM27	Right foreleg welding	1	
28	0000028013	EHS2A-DM28	Elastic cylindrical pin 4x50	2	
29	2020425001	EHS2A-DM29	Spacer 26x20x3	4	
30	0000027107	EHS2A-DM30	Bearing 62042Z	4	
31	1500316005	EHS2A-DM31R	Load Roller	2	Red
	1500316006	EHS2A-DM31Y			Yellow
	2530511001	EHS2A-DM31N			Nylon
32	2000407002	EHS2A-DM32	Front wheel shaft	2	
⌚	2500500007	EHS2A-DM-1	Big wheel assembly	1	

Fig.2 Single Mast

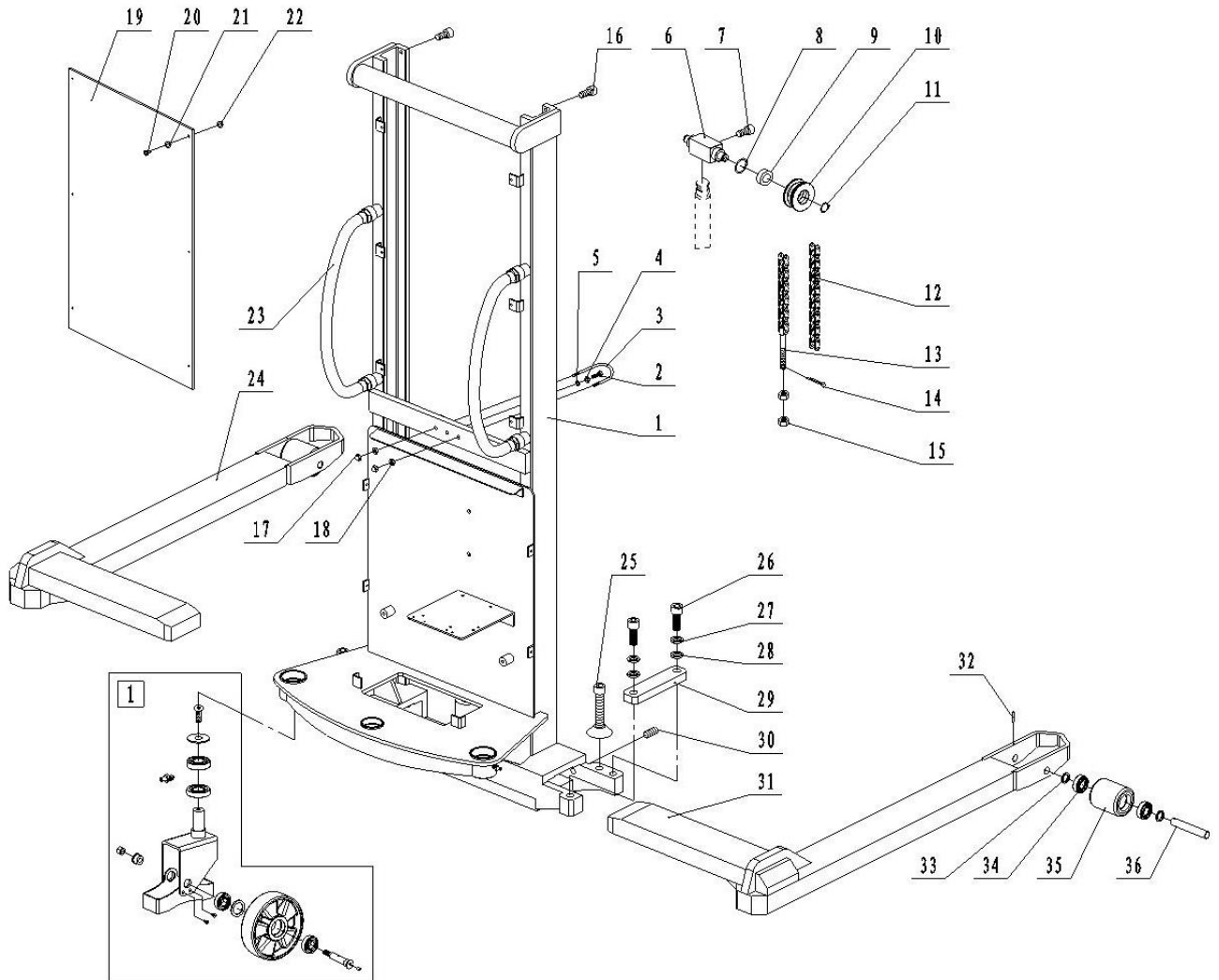


Fig.2 Parts List of Single Mast

N	Code number	Mobile Part #	Item	Quantity	Remarks
2	0000023495	EHS2A-SM2	Bolt M10x40	1	
3	2530202001	EHS2A-SM3	Cylinder hoop	1	
4	0000024091	EHS2A-SM4	Hex nut M10	1	
5	0000025065	EHS2A-SM5	Spring washer 10	1	
6	2500502005	EHS2A-SM6	Footstock	1	
7	0000023013	EHS2A-SM7	Screw M8x16	1	
8	0000026009	EHS2A-SM8	Circlip for hole 47	2	
9	0000027001	EHS2A-SM9	Bearing 6204	2	
1	2500502002	EHS2A-SM10	Chain wheel	2	
11	0000026003	EHS2A-SM11	Circlip for shaft 20	2	
1	0000029272	EHS2A-SM12	Chain 12A-1 (67 joint)	2	1600
2	0000029273	EHS2A-SM12	Chain 12A-1 (69 joint)		1725
1	2500502007	EHS2A-SM13	Chain rod	2	
1	0000028076	EHS2A-SM14	Cotter pin 2x25	2	
1	0000024087	EHS2A-SM15	Hex nut M14	4	
1	0000023513	EHS2A-SM16	Screw M10x16	2	
1	0000024092	EHS2A-SM17	Cap nut M8	2	
1	0000024086	EHS2A-SM18	Hex nut M8	2	
1	2530503014	EHS2A-SM19-16	Protection plate	1	1600
9	2530503011	EHS2A-SM19-17			1725
2	0000023488	EHS2A-SM20	Screw M6x16	6	
2	0000025007	EHS2A-SM21	Flat washer6	6	
2	2210618001	EHS2A-SM22	Rubber cushion	6	
2	2530500017	EHS2A-SM23	Handle	2	
2	2030401002	EHS2A-SM24	Foreleg welding kit	1	
2	2050402002	EHS2A-SM25	Supporting assembly	2	
2	0000023453	EHS2A-SM26	Screw M20x60	4	
2	0000025101	EHS2A-SM27	Heavy spring washer	4	
2	0000025031	EHS2A-SM28	Flat washer 20	4	
2	2030402001	EHS2A-SM29	Pressure plate	2	
3	0000023868	EHS2A-SM30	Set screw 16x20	4	
3	2030401003	EHS2A-SM31	Right foreleg welding	1	
3	0000028013	EHS2A-SM32	Elastic cylindrical pin	2	
3	2020425001	EHS2A-SM33	Spacer 26x20x3	4	
3	0000027107	EHS2A-SM34	Bearing 62042Z	4	
3	1500316005	EHS2A-SM35R	Load Roller	2	Red
5	1500316006	EHS2A-SM35Y			Yellow
	2530511001	EHS2A-SM35N			Nylon
3	2000407002	EHS2A-SM36	Front wheel shaft	2	
1	2500500007	EHS2A-SM-1	Big wheel assembly	1	

Fig.3 Big Wheel Assembly

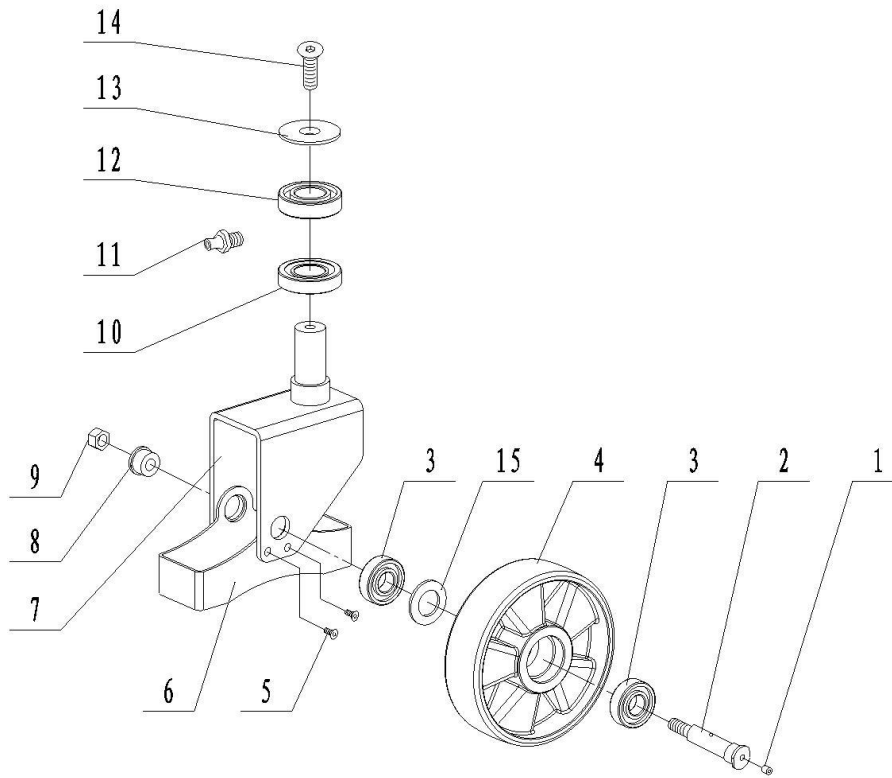


Fig.3 Parts List of Big Wheel Assembly

No.	Code number	Mobile Part #	Item	Quantity	Remarks
1	1010530001	EHS2A-BWA1	Angled grease cup 6	1	
2	2500507001	EHS2A-BWA2	Big wheel shaft	1	
3	0000027107	EHS2A-BWA3	Bearing 62042Z	2	
4	2500516001	EHS2A-BWA4W	Big wheel ϕ 180x50	1	White
	2530516001	EHS2A-BWA4B	Big wheel ϕ 180x50		Black
	2800116001	EHS2A-BWA4R	PU Big wheel ϕ 180x50		Red
	2530516003	EHS2A-BWA4Y	PU Big wheel ϕ 180x50		Yellow
5	0000023484	EHS2A-BWA5	Sunk screw M6x10	4	
6	2500504002	EHS2A-BWA6	Safety damper	1	
7	2500501012	EHS2A-BWA7	Driven wheel frame	1	
8	2500525002	EHS2A-BWA8	Washer	1	
9	0000024085	EHS2A-BWA9	Lock nut M12	1	
10	0000027066	EHS2A-BWA10	Roller bearing 30206	1	
11	0000030026	EHS2A-BWA11	Greasing cup M8x1	1	
12	0000027012	EHS2A-BWA12	Bearing 6206	1	
13	2500502006	EHS2A-BWA13	Gland	1	
14	0000023867	EHS2A-BWA14	Sunk nut M10x20	1	
15	2500502010	EHS2A-BWA15	Washer	1	

Fig.4 Inner Mast

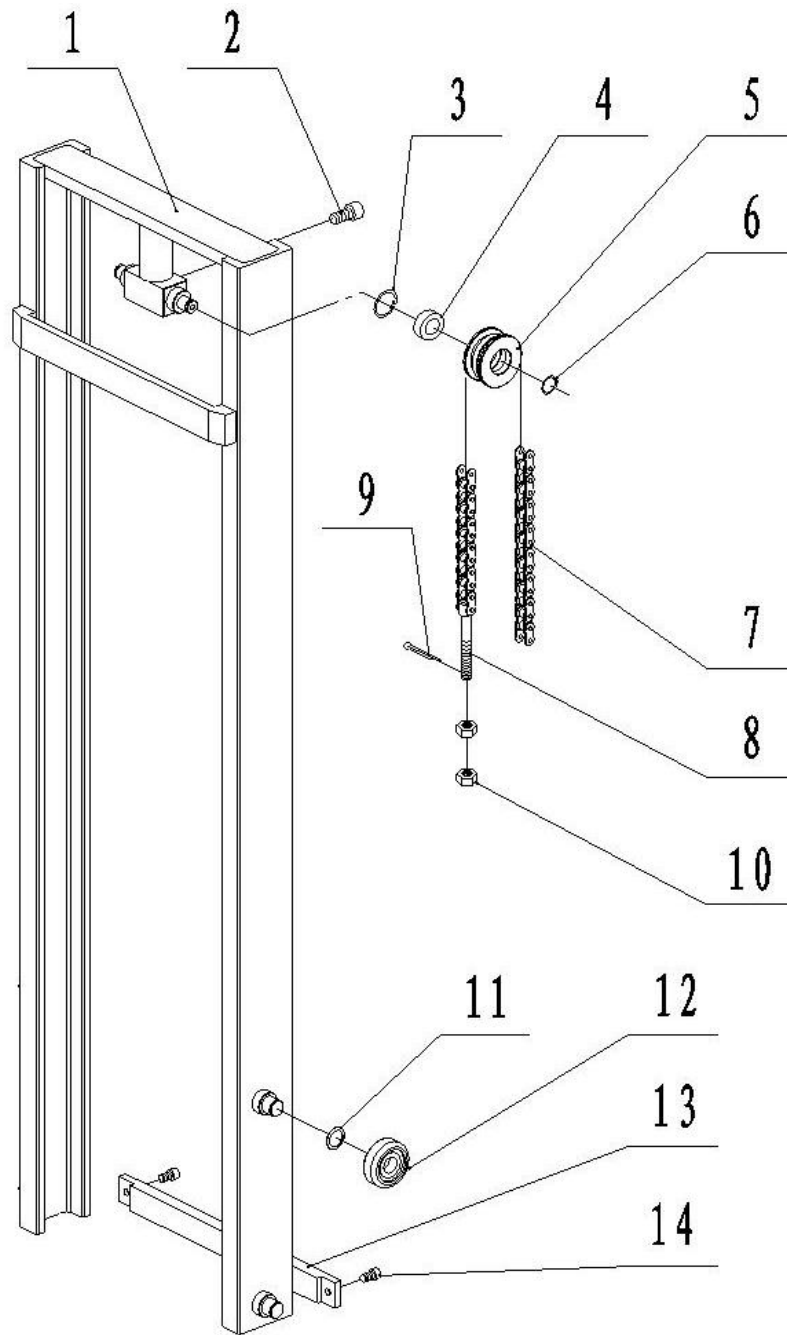


Fig.4 Parts List of Inner Mast

No.	Code number	Mobile Part #	Item	Quantity	Remarks
1	2530501004	EHS2A-IM1-25	Inner mast	1	2500
	2530501011	EHS2A-IM1-30			3000
	2530501036	EHS2A-IM1-33			3300
2	0000023013	EHS2A-IM2	Screw M8x16	1	
3	0000026009	EHS2A-IM3	Circlip for hole 47	2	
4	0000027107	EHS2A-IM4	Bearing 62042Z	2	
5	2500502002	EHS2A-IM5	Chain wheel	2	
6	0000026003	EHS2A-IM6	Circlip for shaft 20	2	
7	0000029279	EHS2A-IM7-25	Chain 12A-1 (93 joint)	2	2500
	0000029266	EHS2A-IM7-30	Chain 12A-1 (105 joint)		3000
	0000029252	EHS2A-IM7-33	Chain 12A-1 (113 joint)		3300
8	2500502007	EHS2A-IM8	Chain rod	2	
9	0000028076	EHS2A-IM9	Cotter pin 2x25	2	
10	0000024087	EHS2A-IM10	Hex nut M14	4	
11	2530402001	EHS2A-IM11	Adjusting cushion	4	
12	2530402002	EHS2A-IM12	Roller	4	
13	2530504005	EHS2A-IM13	Pull rod	1	
14	0000023483	EHS2A-IM14	Screw M10x20	2	

Fig.5 Steering Operating System

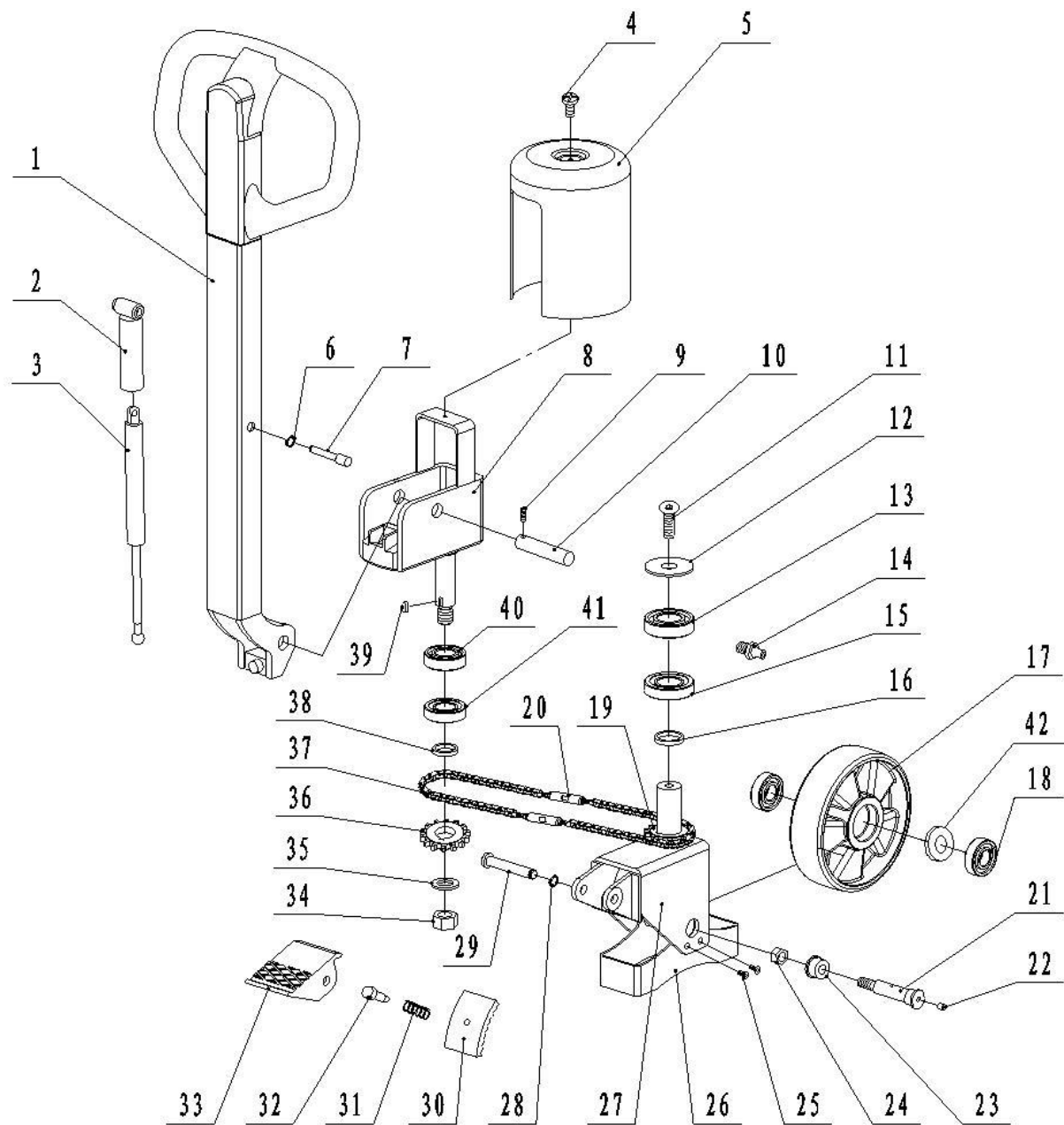


Fig.5 Parts List of Steering Operating System

No.	Code number	Mobile Part #	Item	Quantity	Remarks
1	2530100002	EHS2A-SS1	Handle	1	
2	2530102001	EHS2A-SS2	Air spring seat	1	
3	2530121001	EHS2A-SS3	Air spring(handle)	1	
4	0000023280	EHS2A-SS4	Screw M5X10	1	
5	2530103001	EHS2A-SS5	Handgrip rotating seat cover	1	
6	0000026051	EHS2A-SS6	Circlip 8	1	
7	2530107002	EHS2A-SS7	Air spring shaft	1	
8	2530101001	EHS2A-SS8	Handle connection seat	1	
9	0000023511	EHS2A-SS9	Set screw M5x12	1	
10	2530107001	EHS2A-SS10	Handle lever	1	
11	0000023867	EHS2A-SS11	Sunk screw M10x20	1	
12	2500502006	EHS2A-SS12	Gland	1	
13	0000027012	EHS2A-SS13	Bearing 6206	1	
14	0000030026	EHS2A-SS14	Greasing cup M8x1	1	
15	0000027066	EHS2A-SS15	Roller bearing 30206	1	
16	2500125002	EHS2A-SS16	Washer	1	
17	2500516001	EHS2A-SS17	Big wheelφ180x50	1	
	2800116001	EHS2A-SS17P	PU Big wheel		
	2530516003	EHS2A-SS17PY	PU Big wheel(Yellow)		
	2530516002	EHS2A-SS17PB	PU Big wheel(Black)		
18	0000027107	EHS2A-SS18	Bearing 62042Z	2	
19	2500109002	EHS2A-SS19	Steering chain wheel	1	
20	2500100003	EHS2A-SS20	Tension screw	2	
21	2500507001	EHS2A-SS21	Big wheel shaft	1	
22	1010530001	EHS2A-SS22	Angled grease cup 6	1	
23	2500525002	EHS2A-SS23	Washer	1	
24	0000024085	EHS2A-SS24	Lock nut M12	1	
25	0000023484	EHS2A-SS25	Sunk screw M6x10	4	
26	2500504002	EHS2A-SS26	Safety damper	1	
27	2500501011	EHS2A-SS27	Braking wheel frame	1	
28	0000026034	EHS2A-SS28	Circlip for shaft 12	1	
29	2500507002	EHS2A-SS29	Hinge pin	1	
30	2500505001	EHS2A-SS30	Brake block	1	
31	2500531001	EHS2A-SS31	Spring	1	
32	2500523002	EHS2A-SS32	Push rod screw	1	

33	2500505002	EHS2A-SS33	Cam foot pedal	1	
34	0000024095	EHS2A-SS34	Lock nut M18x1.5	1	
35	0000025104	EHS2A-SS35	Flat washer 18	1	
36	2500109001	EHS2A-SS36	Steering chain wheel	1	
37	0000029274	EHS2A-SS37	Roller drive chain (08B)	2	
38	2500125001	EHS2A-SS38	Washer	1	
39	0000036010	EHS2A-SS39	Flat pin C6X6	2	
40	0000027011	EHS2A-SS40	Bearing 6205	1	
41	0000027069	EHS2A-SS41	Roller bearing 30205	1	
42	2500502010	EHS2A-SS42	Washer	1	

Fig.6 Portable Pallet Frame

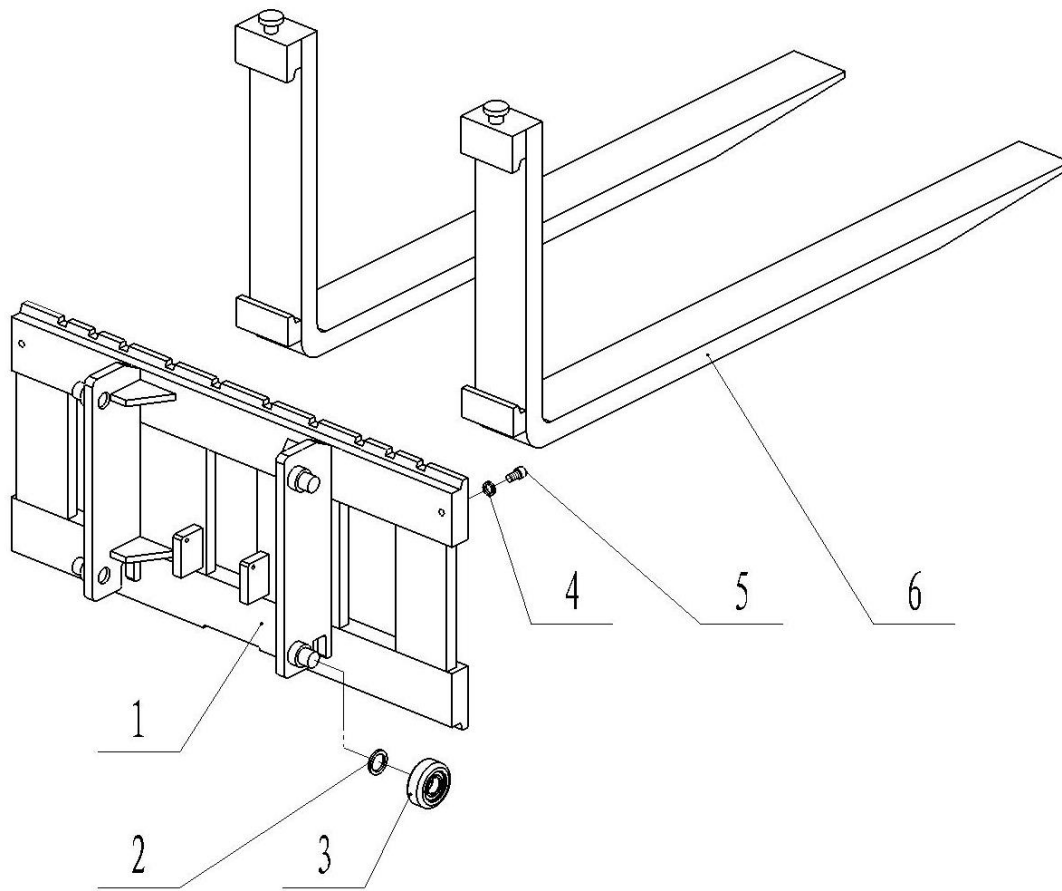


Fig.6 Parts List of Pallet Frame

No.	Code number	Mobile Part #	Item	Quantity	Remarks
1	2530401019	EHS2A-PF1D	Pallet frame	1	For double mast
	2530401021	EHS2A-PF1S	Pallet frame		For single mast
2	2530402001	EHS2A-PF2	Adjusting cushion	4	
3	2530402002	EHS2A-PF3	Roller	4	
4	0000025065	EHS2A-PF4	Spring washer 10	2	
5	0000023483	EHS2A-PF5	Screw M10x20	2	
6	2530401020	EHS2A-PF6	Fork	2	

Fig.7 Hydraulic System

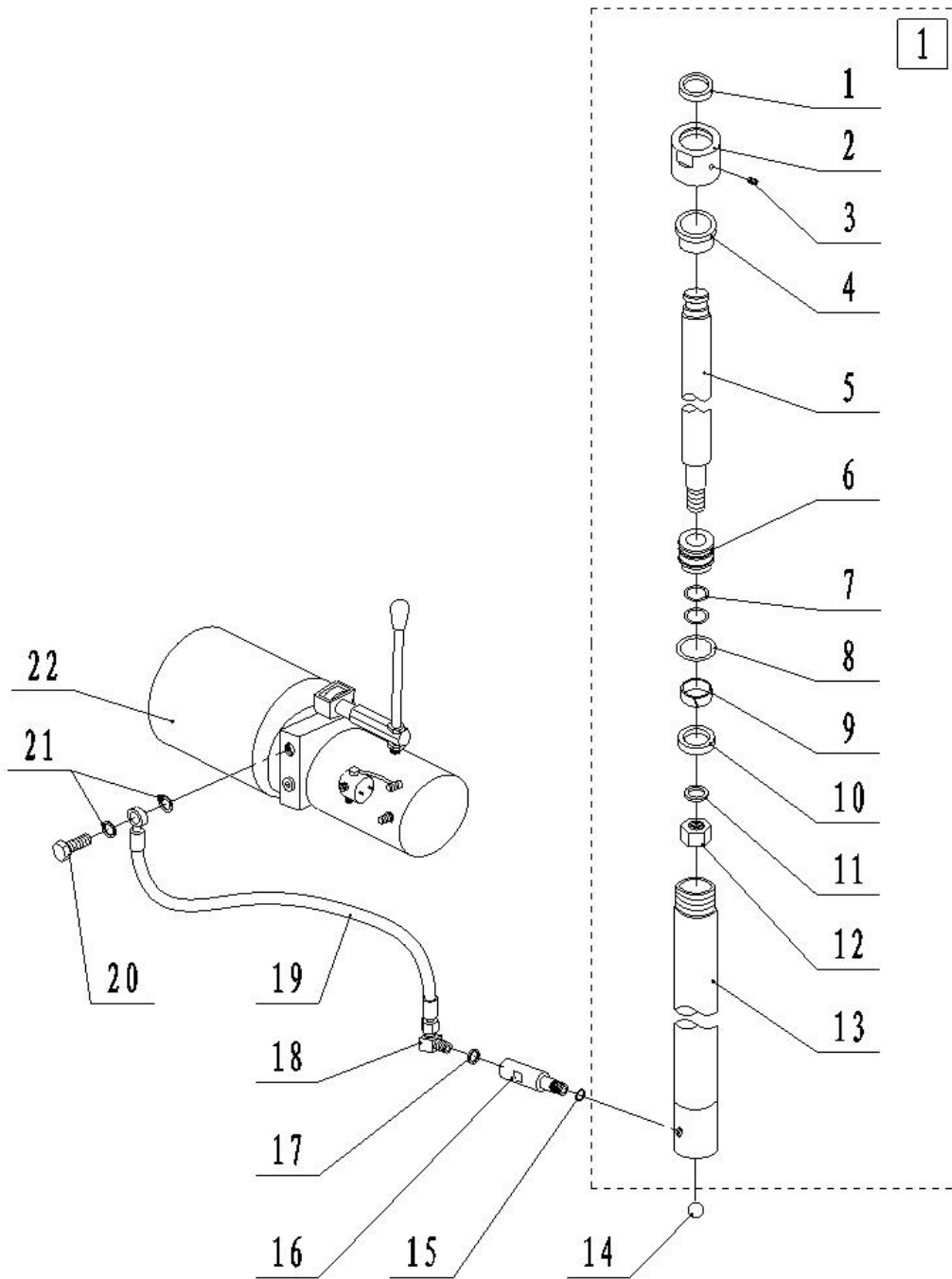


Fig.7 Parts List of Hydraulic System

No.	Code number	Mobile Part #	Item	Quantity	Remarks
1	0000022189	EHS2A-HS1	Dust ring 40x48x5	1	
2	2520202001	EHS2A-HS2	Shielding cover	1	
3	0000023502	EHS2A-HS3	Set screw M6X6	1	
4	1050302003	EHS2A-HS4	Bushing	1	
5	2520207001	EHS2A-HS5	Piston rod	1	1600
	2520207002	EHS2A-HS5			2500
	2520207003	EHS2A-HS5			3000
	2520207005	EHS2A-HS5			3300
	2520207007	EHS2A-HS5			1725
6	2520202002	EHS2A-HS6	Piston Φ 50	1	
7	0000022115	EHS2A-HS7	O-ring 32x2.4	2	
8	0000022029	EHS2A-HS8	O-ring 50x3.1	1	
9	2520202003	EHS2A-HS9	Support ring for hole 50X15X2.5	1	
10	0000022116	EHS2A-HS10	Y-type sealing ring for shaft 50X40X6	1	
11	0000025094	EHS2A-HS11	Spring washer 24	1	
12	0000024072	EHS2A-HS12	Hex nut M24X1.5	1	
13	2520208001	EHS2A-HS13	Cylinder	1	1600
	2520208002	EHS2A-HS13			2500
	2520208003	EHS2A-HS13			3000
	2520208005	EHS2A-HS13			3300
	2520208007	EHS2A-HS13			1725
14	0000037028	EHS2A-HS14	Steel ball 18	1	
15	0000022118	EHS2A-HS15	O-ring 18x2.4	1	
16	2520200004	EHS2A-HS16	Speed control valve	1	
17	0000022051	EHS2A-HS17	Washer assembly 16	1	
18	2520202007	EHS2A-HS18	Bend (1)	1	
19	2530217001	EHS2A-HS19	High pressure oil pipe	1	
20	2530217002	EHS2A-HS20	Oil pipe bolt	1	
21	0000022051	EHS2A-HS21	Washer assembly 16	2	
22	2530200002	EHS2A-HS22	Pump station 12V-1.6kw-2.1CC	1	
⊥	2520200012	EHS2A-HS-1-25	Cylinder assembly	1	2500
	2520200005	EHS2A-HS-1-30			3000
	2520200006	EHS2A-HS-1-16			1600
	2520200007	EHS2A-HS-1-33			3300
	2520200009	EHS2A-HS-1-17			1725

Fig.8 Distribution Box Components

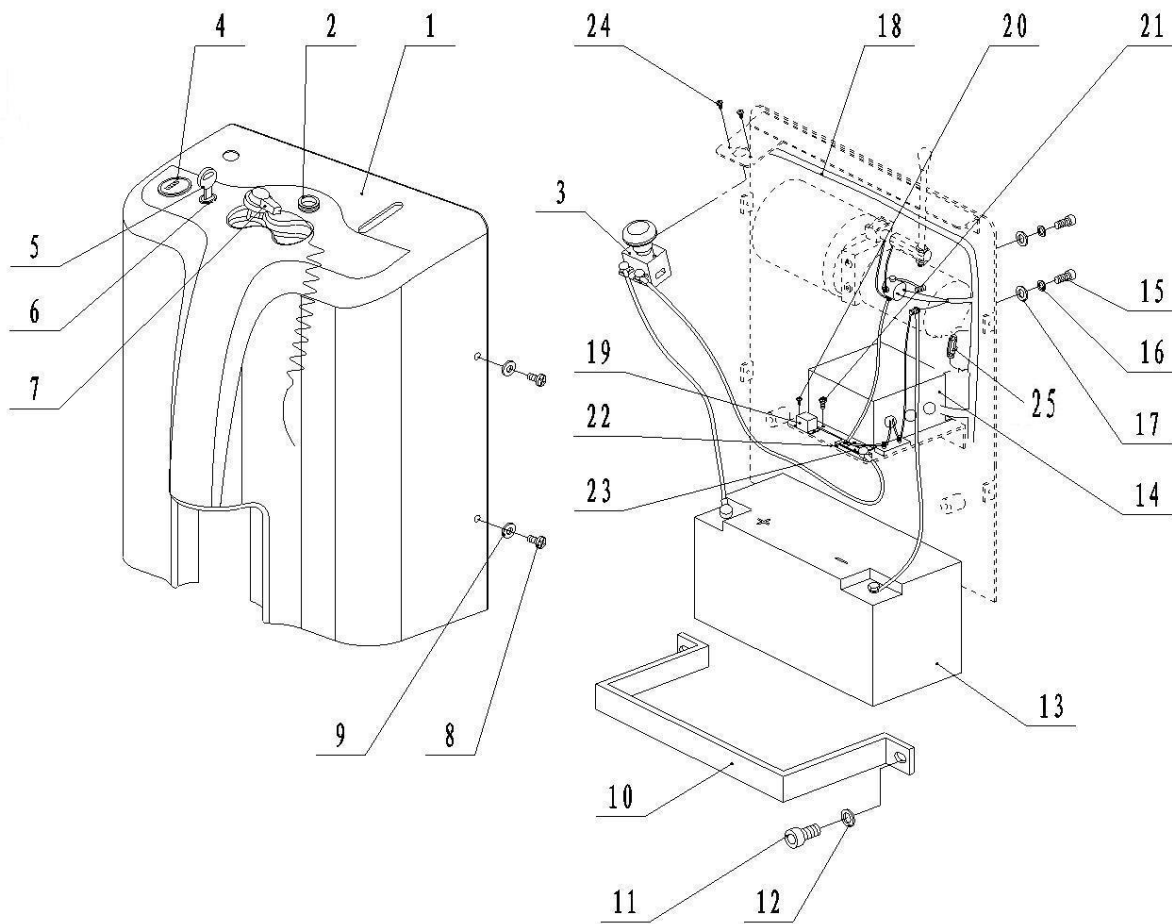


Fig.8 Distribution Box Components

No.	Code number	Mobile Part #	Item	Quantity	Remarks
1	2530303002	EHS2A-DC1	Electrical box	1	
2	2210418003	EHS2A-DC2	Sheath	1	
3	2240434001	EHS2A-DC3	DC power switch ZDK31-250	1	
4	2530334003	EHS2A-DC4	Coulombmeter 12V BI1201A(B)	1	
5	1010434015	EHS2A-DC5	Key	1	
6	2530334002	EHS2A-DC6	Key switch LKS-101A	1	
7	1010434009	EHS2A-DC7AU	Double-end spring plug 3x0.75 (Australian)	1	
	1010434011	EHS2A-DC7EN	Double-end spring plug 3x0.75 (English)		
	1010434012	EHS2A-DC7EU	Double-end spring plug 3x0.75 (European)		
	1010434013	EHS2A-DC7IT	Double-end spring plug 3x0.75 (Italian)		
	1010434014	EHS2A-DC7SW	Double-end spring plug 3x0.75 (Swedish)		
	2530334005	EHS2A-DC7AM	Double-end spring plug 3x0.75 (American)		
	1010434023	EHS2A-DC7AS	Double-end spring plug 3x0.75 (Asian)		
8	0000023512	EHS2A-DC8	Screw M6x10	4	
9	0000025007	EHS2A-DC9	Flat washer 6	4	
10	2530304001	EHS2A-DC10	Battery pressure plate	1	
11	0000023013	EHS2A-DC11	Screw M8x16	2	
12	0000025004	EHS2A-DC12	Spring washer 8	2	
13	2530332001	EHS2A-DC13	Battery 12V150AH	1	
14	2530320001	EHS2A-DC14-230	Charger 12V/20A QQE240-5CH20-26-A	1	230V
	2530320002	EHS2A-DC14-115			115V
15	0000023483	EHS2A-DC15	Screw M10x20	2	
16	0000025065	EHS2A-DC16	Spring washer 10	2	
17	0000025106	EHS2A-DC17	Flat washer 10	2	
18	2530333001	EHS2A-DC18	SPM harness	1	
19	2530334004	EHS2A-DC19	Protection module BD-V-12	1	
20	0000023052	EHS2A-DC20	Screw M4x8	2	
21	0000023512	EHS2A-DC21	Screw M6x10	4	
22	1000434007	EHS2A-DC22	Fuse seat SYY	1	
23	1020434001	EHS2A-DC23	Bolted fuse 200A	1	
24	0000023126	EHS2A-DC24	Screw M5x12	2	
25	2500334006	EHS2A-DC25	Fuse tube 6x30 6A	1	

Fig.9 Pump Station Components

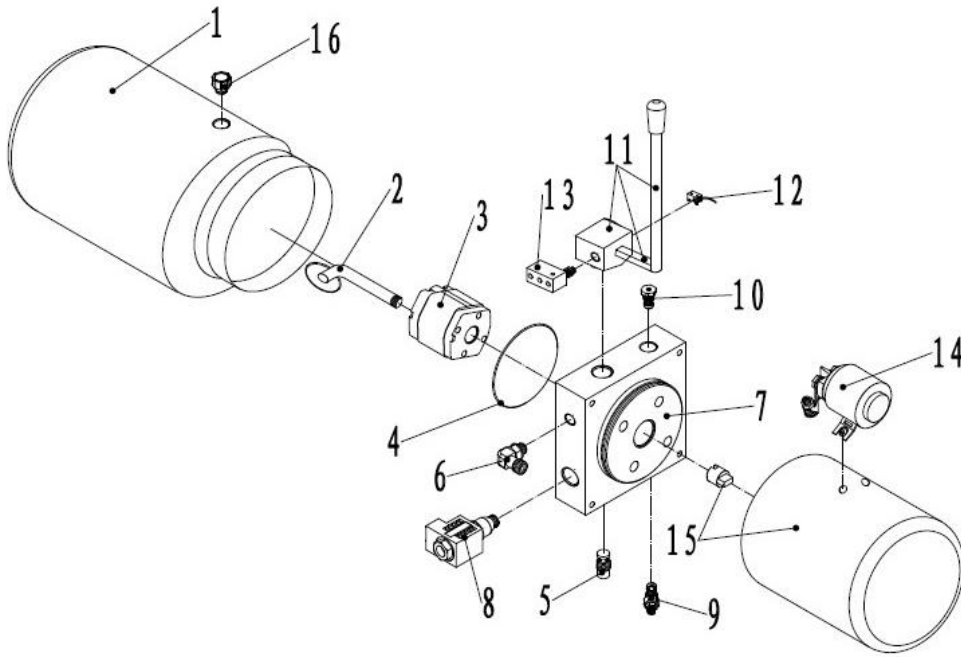


Fig.9 Pump Station Components

No.	Code	Mobile Part #	Item	Specification	Quantity	Remarks
1	2500237006	EHS2A-PS1	Oil tank	TS120D300	1	
2	2500217001	EHS2A-PS2	Oil suction pipe	FB03B	1	With strainer
3	2500237001	EHS2A-PS3	Gear pump	CBK-F120	1	with bolt
4	2500222001	EHS2A-PS4	O-ring	112*4	1	
5	2500215001	EHS2A-PS5	Flow control valve	RPCV-02	1	
6	2500237002	EHS2A-PS6	Joint	FVC06	1	
7	2530237011	EHS2A-PS7	Center valve block	CMB2	1	
8	2530337012	EHS2A-PS8	Solenoid valve	SCV-012E	1	
9	2500235002	EHS2A-PS9	Overflow valve	RV-03	1	
10	2500235003	EHS2A-PS10	Check valve	CV-O1	1	
11	900002213	EHS2A-PS11	Hand valve	MV-03	1	
12	2500214001	EHS2A-PS12	Upper micro switch	UMS	1	
13	2500214002	EHS2A-PS13	Under micro switch	DMS	1	
14	2500214003	EHS2A-PS14	Starting switch	DK0212	1	
15	2500237004	EHS2A-PS15	Motor	MD12160	1	
16	2500237005	EHS2A-PS16	Oil tank cover	FC04	1	
17	2530337014	EHS2A-PS17	Carbon brush		1	



MOBILE INDUSTRIES, INC.
3750B Laird Rd - Unit 2 & 3
Mississauga ON, L5L 0R6
Canada

Toll Free: 1 800 527 4612 • Local 905 279 5370
Email: info@mobilept.com

MOBILEPT.COM