



MODEL	EMS22NFP-63	EMS33NFP-63	EMS22NFP-98	EMS22NFP-118
Part#	1372263NFP	1373363NFP	1372298NFP	13722118NFP
Capacity (lbs)	2200	3300	2200	2200
Max Fork Height	63"	63"	98"	118"



Foot Pump




Handle

ECO EMS22NFP

FIXED PLATFORM MANUAL PUMP

- FEATURES: Heavy Duty Steel Construction • High-Quality Powder Coat Paint Finish
• Hand or Foot Pump Operation • Mechanical Parking Brake • Lightweight and Compact for easy maneuverability

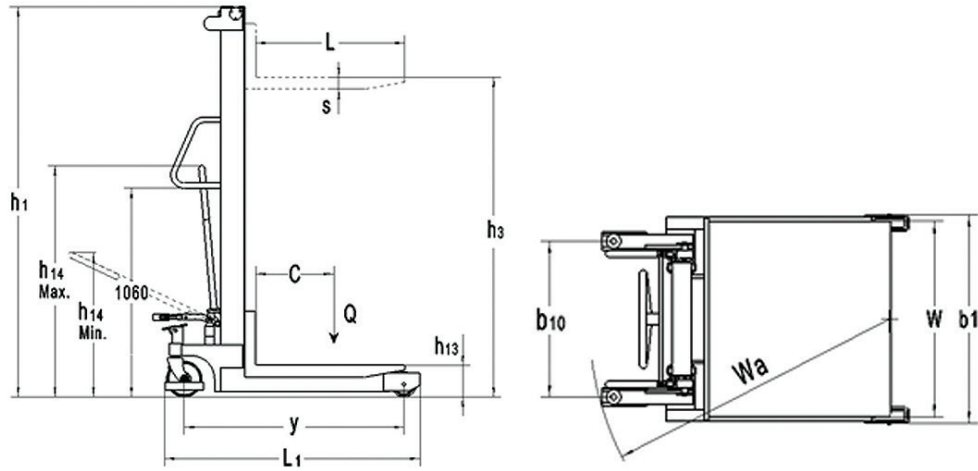
2,200  lbs CAPACITY

Raised Mast Height: 78"/78"/119.68"/139.37" • Lowered Mast Height: 78"/78"/71.85"/81.7" • Platform Dimensions: 30"L x 32"W
Base Legs (I.D./O.D.): 28"/34" • Weight: 490/580/665/715 lbs • Min Fork Hgt: 6" • Mast Hgt: 79.5"/81.5"/72"/84" • Front Rollers: 5" (EMS22NFP-63: 2") • Steer Caster: 7"
*Available in 3,300 lbs (Model: EMS33NFP-63)

2,200 **lbs** CAPACITY  63" / 98" / 118" LIFT

EMS22NFP MANUAL PUMP FIXED PLATFORM STACKER					
Model		EMS22NFP-63	EMS33NFP-63	EMS22NFP-98	EMS22NFP-118
Capacity	lbs	2200	3300	2200	2200
Load Center	(C) in	15.74			
Weight	lbs	490	580	665	715
Steer Casters (Polyurethane)	in	7 dia. x 2			
Load Rollers (Polyurethane)	in	5 dia. x 2			
Lowered Mast Height	(h1) in	78	78	71.85	81.7
Raised Mast Height	in	78	78	119.68	139.37
Lowered Platform Height	(h13) in	6			
Raised Platform Height	(h3) in	63	63	98	118
Platform Dimensions	in	30 x 32			
Base Legs (I.D.)	in	28			
Base Legs (O.D.)	in	34			
Handle Height (in drive position min / max)	(h14) in	29.52 / 46.06			
Overall Length	(L1) in	51.57			
Overall Width	(B1) in	34.4			
Turning Radius	(Wa) in	50			

*Because of continual product improvements, specifications may be subject to change without notice



SPECIFICATIONS • PERFORMANCE

