



**QUICK CHARGE:** The ESET26P offers a Li-Ion Battery that is light and easy to remove for quick recharging and offers continuous operation with a spare battery.



**POWERFUL:** Thanks to the ESET26P's high torque and the dual drive system, loads up to 2,650 lbs can be moved easily.



**SPEED/CONTROL:** The ESET26P has efficient and reliable dual drive system which increases traction and usability with variable speed and control options.



**OVERALL VALUE:** The ESET26P features a durable design with robust components to ensure low maintenance costs.


# ESET26P

## SEMI-ELECTRIC PALLET TRUCK

### Li-Ion POWERED

#### FEATURES

- **Fast Manual Pump:** The quick lift pump allows for the pallet truck to be lifted in just two strokes.
- **Ergonomic Handle:** A 3-D designed ergonomic tiller has a special coating allowing for fingertip control to increase stability/control in any situation.
- **Electronic Traction Control:** Traction control is used to avoid wheel spinning and is able to get the maximum in any situation (high torque for slopes, high speed for plane surface use).
- **Non-Marking Wheels:** The wheels are designed not to mark surfaces for durable and safe movement.
- **Li-Ion Battery:** The light weight battery is easy to replace for external recharge and continuous running can be achieved with a spare battery (2x the battery capacity of other electric pallet jacks).
- **Free Wheel Mode:** The manual mode option enables the motor to spin freely which allows the jack to operate manually.
- **Compact and Light:** The unit is usable in any application where space and weight are critical.

2,645  lbs CAPACITY

Fork Dimensions: 20.6" x 48" & 27" x 48"

Wheels: Rubber/Poly • Overall Length: 61" • Lift Hgt: 4.5" • Lowered Hgt: 3" • Drive Motor: 2 x .25kW • Battery Type: LI-ION • Battery Weight: 3.3lbs • Battery Voltage: 36V/12.6Ah  
 • Brake: Electric • Grade Rating: 5% • Sound Level: 60db • Turning Radius: 54" • Shipping Dimensions (L x W x H): 48" x 40" x 54" • Shipping Weight: 250lbs

\*20.6" x 48" (Part#: 170222-P) • 27" x 48" (Part#: 170223-P)

2,645 **lbs** CAPACITY

**ESET26P SEMI-ELECTRIC LI-ION POWERED PALLET TRUCK**

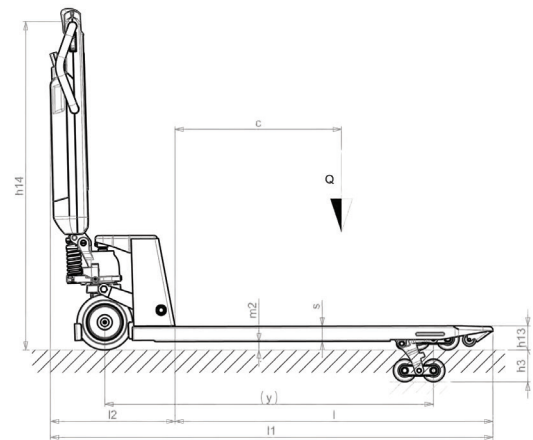
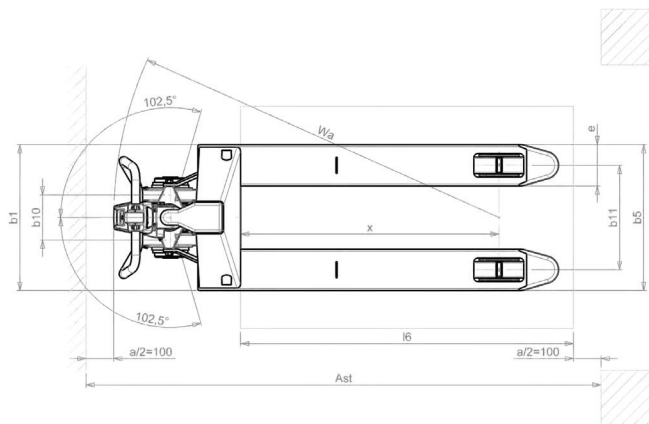
Model		ESET26P-B (BASIC)	ESET26P-P (PLUS)
Drive		Electric	
Operator Type		Pedestrian	
Load Capacity	(Q) kg	1200	1200
Load Center Distance	(C) mm	600	600
Load Distance (center of drive axle to load wheel)	(X) mm	932	932
Wheel Base	(Y) mm	1192	1192
Service Weight	kg	86-88	86-88
Axle Loading – Laden (Front / Rear)	kg	395 / 889-891	395 / 889-891
Axle Loading – Un-laden (Front / Rear)	kg	59 / 25-27	59 / 25-27
Tires (Front / Rear)		G / P	G / P
Tire Size, Front (Ø x width)		200 x 40	200 x 40
Tire Size, Rear (Ø x width)		82 x 82-60	82 x 82-60
Side Wheels (Ø x width)		-	-
Wheels, Number (x=driven wheels) Front / Rear		2x / 2-2x / 4	2x / 2-2x / 4
Tread, Front	(b10) mm	162	162
Tread, Rear (Min / Max***)	(b11) mm	375	375
Lift	(h3) mm	115	115
Height Of Tiller In Drive Position (Min / Max***)	(h14) mm	710 / 1185	710 / 1185
Height, Lowered	(h13) mm	85	85
Overall Length	(l1) mm	1600	1600
Length To Face Of Forks	(l2) mm	450	450
Overall Width (Front / Rear – Min / Max***)	(b1) mm	525	525
Fork Dimensions	(s/e/l) mm	55 / 150 / 1150	55 / 150 / 1150
Distance Between Fork Arms (Min / Max***)	(b5) mm	525	525
Ground Clearance (Center of Wheel Base)	(m2) mm	30	30
Aisle Width (for pallets 800 x 1200 lengthways)	(Ast) mm	2063	2063
Turning Radius	(Wa) mm	1382	1382
Travel Speed (Laden / Un-laden)	Km/h	4.2 / 5.3	4.2 / 5.3
Lifting Speed (Laden / Un-laden**)		12 / 12	12 / 12
Lowering Speed (Laden / Un-laden)	m/s	.1 / .02	.1 / .02
Max Gradeability (Laden / Un-laden)	%	5 / 10	5 / 10
Service Brake		Electric	Electric
Drive Motor Power	kW	2 x .25	2 x .25
Lift Motor Power	kW	-	-
Battery Voltage / Nominal Capacity C5	V/Ah	36 / 12.6	36 / 12.6
Battery Weight	kg	3	3
Energy Consumption ACC. To EN 16796-1 Cycle	kWh/h	-	-
Sound Level At Driver's Ear	db(A)	60	60

\* G = Rubber, P = Polyurethane, N = Nylon

\*\* 12 / 5 AV

\*\*\* Part #: 170222-P (20.6" x 48") | Part #: 170223-P (27" x 48")

\*Because of continual product improvements, specifications may be subject to change without notice



SPECIFICATIONS • PERFORMANCE